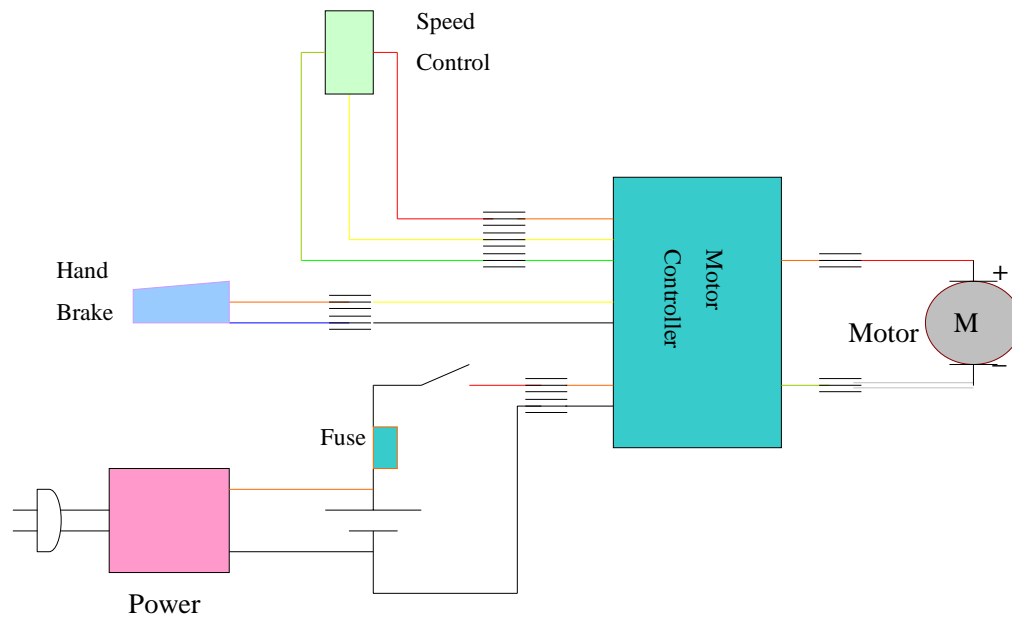


Motor Control Kit Diagram



Main Features:

- ❖ Complete Speed Control Set: Twistgrip speed controller, hand brake, motor controller
- ❖ Soft-start: make start-up smoothly
- ❖ Excessive Current Protection: 11A(36V DC), 14A(24V DC)
- ❖ Low voltage Protection: 31V (36V DC), 20.5V (24V DC)