

DC-700/700CE



Outline

The DC-700/700CE is a compact, lightweight camera adaptor for XC series cameras. In line with the size reduction of XC series cameras, it is smaller and lighter than the conventional power adaptors (DC77RR and DC-777). It is compatible with all of the XC series cameras and accessories, includes VIDEO OUT 2, TRIG IN, and WEN OUT connections.

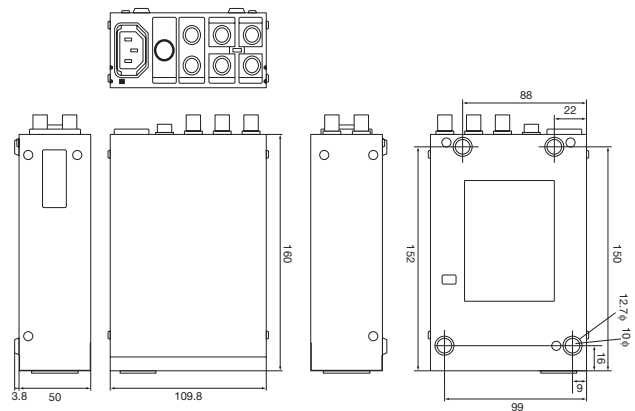
Features

- Compact, lightweight
- External sync input/output
- Trigger input/WEN output
- Built-in high-performance switching power supply

Specifications

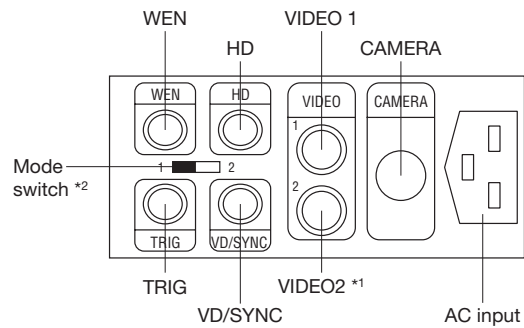
	DC-700 (J)	DC-700 (UC)	DC-700CE
Region	Japan	USA	Europe
Signal system	EIA/NTSC	EIA/NTSC	CCIR/PAL
Power requirements	AC 100 V	AC 100 to 120 V	AC 100 to 240 V
Voltage	50/60 Hz		
Output voltage	DC 13 V 1.3A		
Power consumption	34 VA	22 W	22 W
Operating temperature/humidity	-5 to 45 °C/10 to 90% (no condensation)		
Storage temperature/humidity	-30 to 60 °C/10 to 90% (no condensation)		
Input terminals	WEN terminal BNC type (1) TRIG terminal BNC type (1) HD terminal BNC type (1) VD/SYNC terminal BNC type (1) VIDEO1 terminal BNC type (1) VIDEO2 terminal BNC type (1) CAMERA terminal 12-pin (1)		
Mass	700 g		
Dimensions (mm)	110 (W) x 53 (H) x 160 (D)		
Supplied accessories	Power cord (1), Operating instructions (1), AC plug adaptor (1) (Included with DC-700(J))		
Regulatory compliance	Compliant with technical standards of Electrical Appliance and Material Safety Law	Class A Digital Device UL13104-CSA C22.2 No.223	EN61326/97+A1/98 EN60065 FCC Class A Digital Device Australia EMC AS4251.2+A54252.2 Demko 137370-01

Dimensions



Unit: mm

Rear Panel



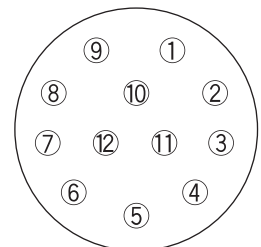
*1 Two video outputs may not be available for some types of cameras.

This becomes TRIG input terminal when using XC-55, XC-55BB, XC-56, XC-56BB.

*2 Set the switch to 2 only when using XC-999.

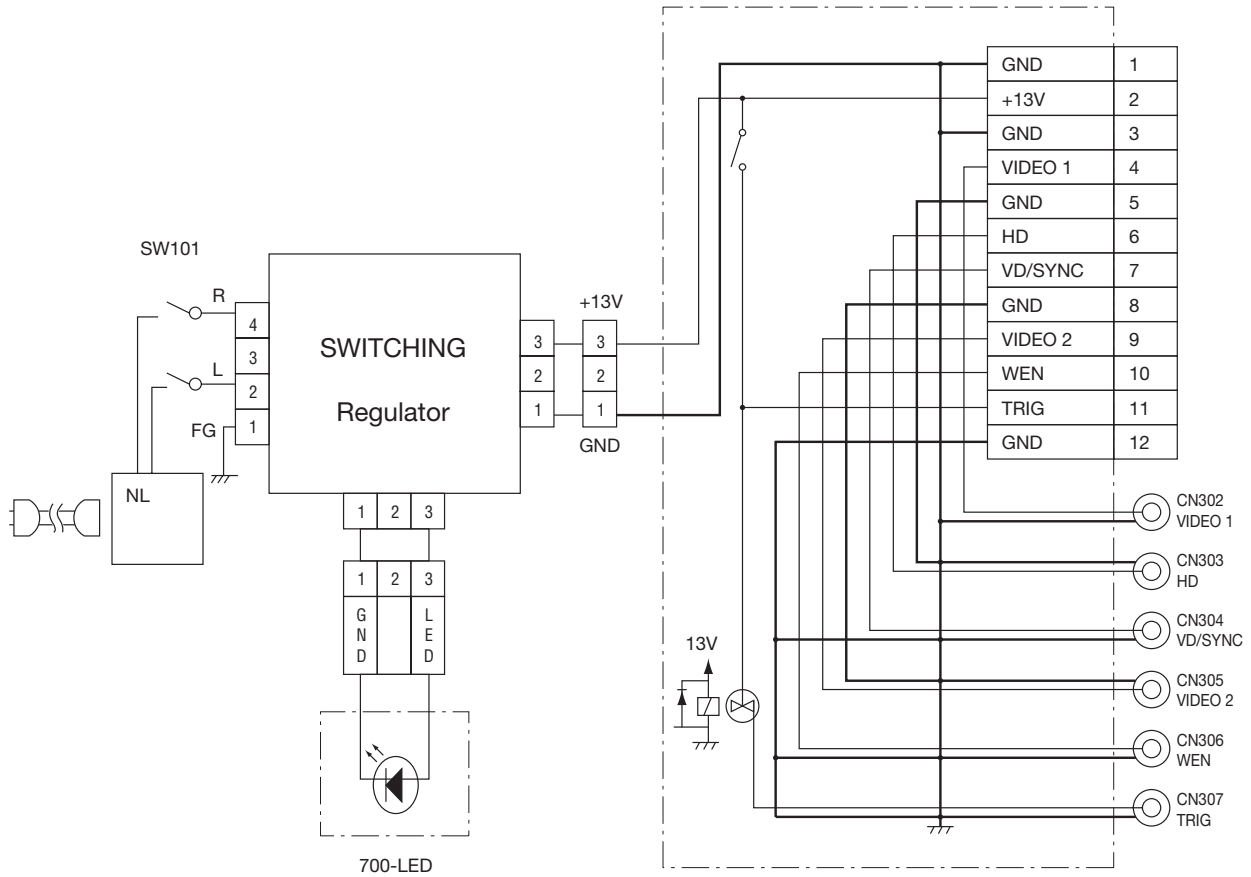
Connector Pin Assignments

Pin No.	
1	GND
2	+13V
3	GND
4	VIDEO 1
5	GND
6	HD
7	VD/SYNC
8	GND
9	VIDEO 2 *
10	WEN
11	TRIG
12	GND



* This becomes TRIG input terminal when using XC-55, XC-55BB, XC-56, XC-56BB.

Block Diagram



Comparative Tables

Comparison with DC-77RR and DC777 Camera Adaptors

	DC-700	DC-77RR	DC-777
Video output	2 video outputs *1	2 video outputs *2 (both identical)	1 video output
S-video output	×	×	○
External sync input	○	○	○
Loop-through output	×	○	×
Clock output	×	○	×
WEN output	○	×	×
TRIG input	○	×	×

*1 Separate video signals are output from pin no. 4 and pin no. 9 (for XC-7500/8500CE).

*2 Video output from pin no. 4 is output from two BNC connectors via two buffer amps.

XC Series Camera Input/Output Chart for DC-700

	VIDEO OUT	GENLOCK IN	WEN OUT	TRIG IN	
12-pin connector pin no.	No.4	No.6,7	NO.10	No.11	
XC-ST Series	○ (VIDEO 1)	HD/VD	○	○	
XC-E Series	○ (VIDEO 1)	HD/VD	○	○	
XC-55	○ (VIDEO 1)	HD/VD	×	×*3	
XC-55BB	○ (VIDEO 1)	HD/VD	×	×*3	
XC-7500	○ (VIDEO 1,2)	HD/VD	×	×	
XC-8500CE	○ (VIDEO 1,2)	HD/VD	×	×	
XC-73	○ (VIDEO 1)	HD/VD	×	×	
XC-75	○ (VIDEO 1)	HD/VD	×	×	
XC-777A	○ (VIDEO 1)	NO	×	×	
XC-999	○ (VIDEO 1)	HD/VD	×	×	
XC-003	○ (VIDEO 1)	HD/VD	×	×	
XC-56	○ (VIDEO 1)	HD/VD	×	×*3	
XC-56BB	○ (VIDEO 1)	HD/VD	×	×*3	
XC-HR70	○ (VIDEO 1)	HD/VD	○	○	
XC-HR57	○ (VIDEO 1)	HD/VD	○	○	
XC-HR58	○ (VIDEO 1)	HD/VD	○	○	
XC-HR50	○ (VIDEO 1)	HD/VD	○	○	
XCL-U1000/U1000C	×	×	×	○	10pin Exposure output
XCL-X700	○ (VIDEO 1)	HD/VD	○	○	
XCL-V500	○ (VIDEO 1)	HD/VD	○	○	
XCI-SX1	×	×	×	○	10pin Exposure output/6pin TTL input/7pin TTL output

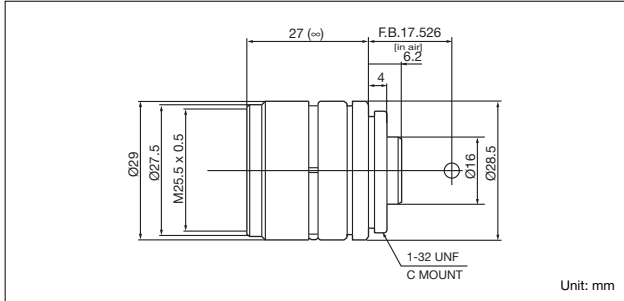
*3 This is supported by no. 9.

C-Mount Lens (Fixed Focus)

VCL-08YM



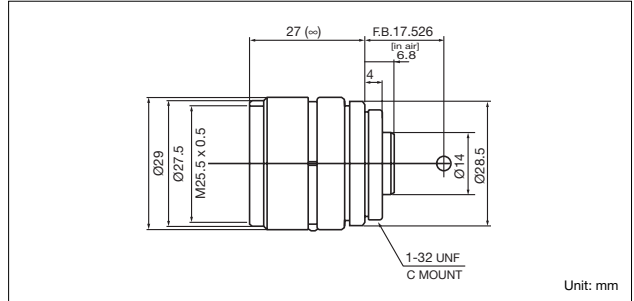
Focal length	8 mm
Aperture (F-number)	F1.4 to F16
Minimum object distance (MOD)	207 mm
Mass	40 g



* VCL-12YM



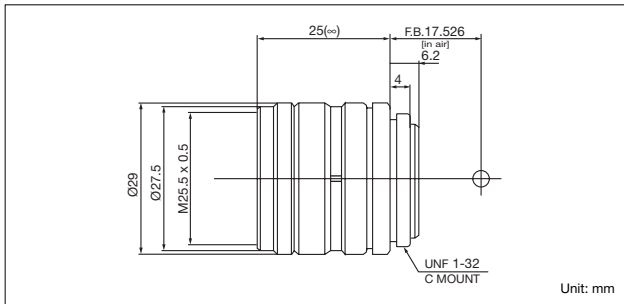
Focal length	12 mm
Aperture (F-number)	F1.4 to F16
Minimum object distance (MOD)	208 mm
Mass	40 g



VCL-16Y-M



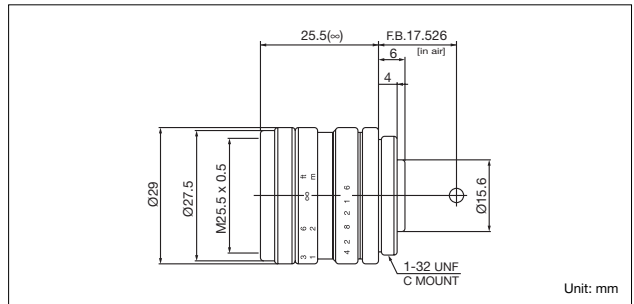
Focal length	16 mm
Aperture (F-number)	F1.4 to F16
Minimum object distance (MOD)	289 mm
Mass	51 g



VCL-25Y-M



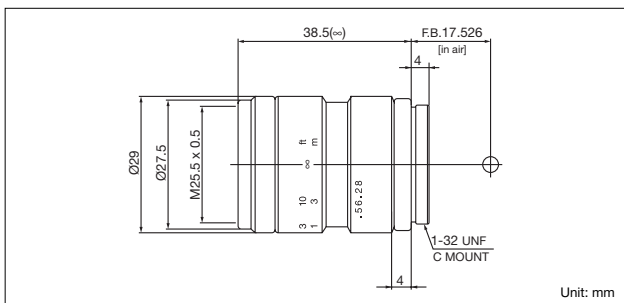
Focal length	25 mm
Aperture (F-number)	F1.6 to F16
Minimum object distance (MOD)	204 mm
Mass	42 g



* VCL-50Y-M



Focal length	50 mm
Aperture (F-number)	F2.8 to F22
Minimum object distance (MOD)	438 mm
Mass	65 g



* Can be attached to NF-mount camera (XC-55BB, XC-555), but a C-mount adaptor (LO-999CMT) is required.

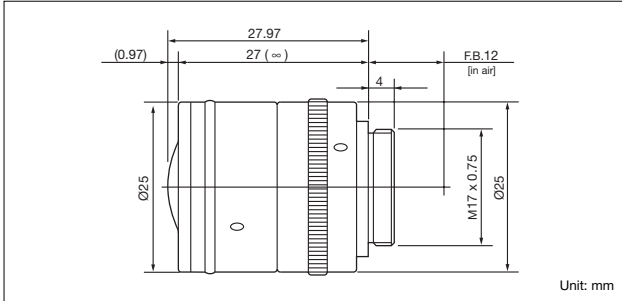
MOD: Minimum object distance from the edge of the lens body to the photo subject.

NF-Mount Lens (Fixed Focus)

VCL-03S12XM



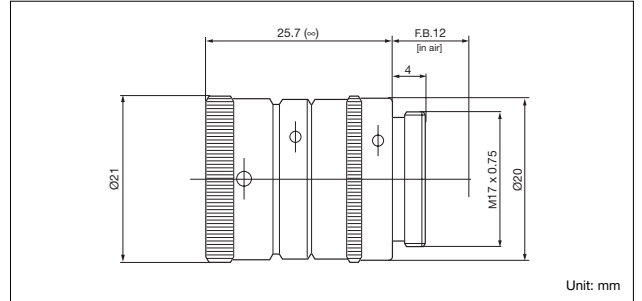
Focal length	3.5 mm
Aperture (F-number)	F1.8 to F16
Minimum object distance (MOD)	300 mm
Mass	40 g



VCL-06S12XM



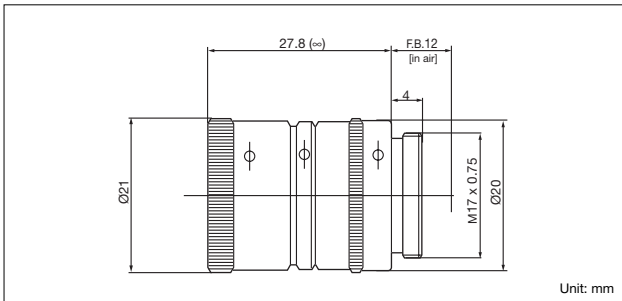
Focal length	6 mm
Aperture (F-number)	F1.4 to F16
Minimum object distance (MOD)	298 mm
Mass	25 g



VCL-12S12XM



Focal length	12 mm
Aperture (F-number)	F1.4 to F1
Minimum object distance (MOD)	298 mm
Mass	25 g



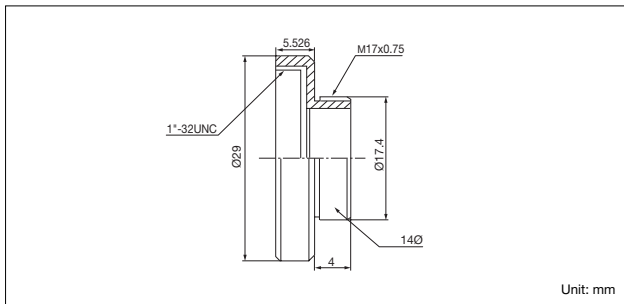
MOD: Minimum object distance from the edge of the lens body to the photo subject.

Lens Accessories

■ C-mount adaptor

Use the C-mount adaptor to attach a C-mount lens to an NF-mount camera.

LO-999CMT

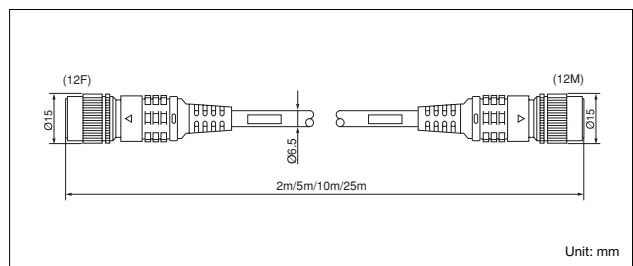


Cables

■ Camera cable (for XC series)

This 12-pin camera cable is used for connecting an XC camera to a DC-700/700CE camera adaptor or JB-77 junction box.

- CCXC-12P02N (2m)** (Aspect of connector: straight)
- 12P05N (5m)** (Aspect of connector: straight)
- 12P10N (10m)** (Aspect of connector: straight)
- 12P25N (25m)** (Aspect of connector: straight)



- Camera connection (12-pin/female) ⇔ DC-700 (JB-77) connection (12-pin/male)
- Shielded

Junction Box

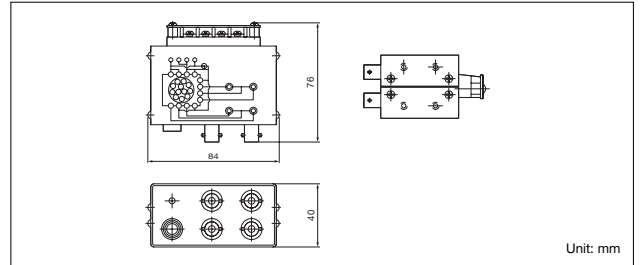
■ Junction Box

This junction box enables simple conversion from 12-pin camera cable to BNC. Also, 12V DC can be supplied from general-purpose power supply to the junction box's power terminal.

JB-77



- Camera cable connection (12-pin x 1)
- Video OUT (BNC x 1)
- Clock OUT (BNC x 1)
- VD IN/OUT (BNC x 1)
- HD IN/OUT (BNC x 1)



Tripod Adaptor

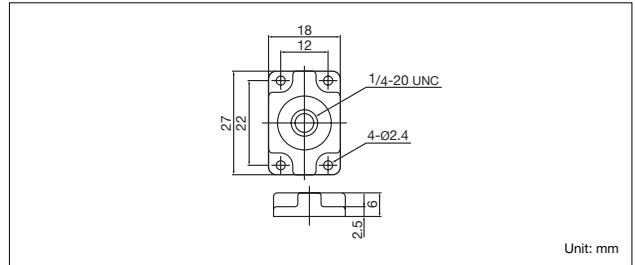
■ Tripod Adaptor

Use these adaptors to mount a camera on a tripod. Use the included screws to attach the adaptor to the camera. The adaptors are threaded for commercially available tripods.

VCT-333I



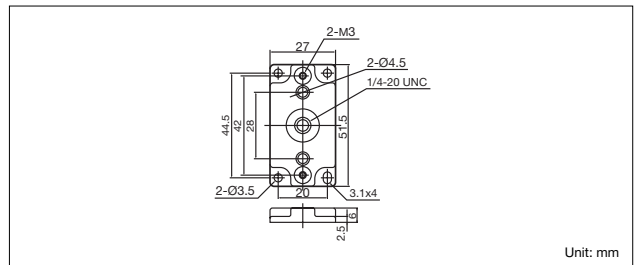
- Material: ABS resin
- Insulated type



VCT-55I



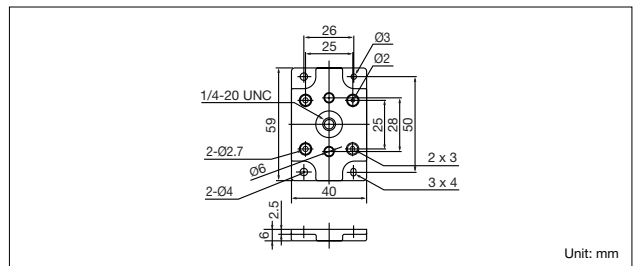
- Material: ABS resin
- Insulated type



VCT-ST70I



- Material: ABS resin
- Insulated type



Connectors

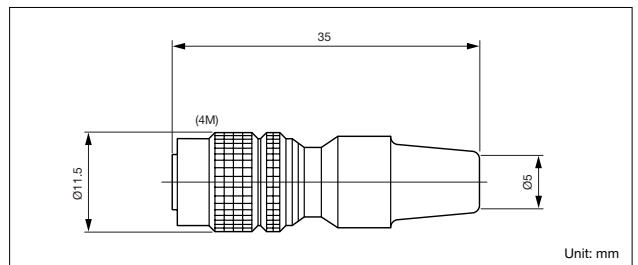
■ Connectors

These connectors allow cables to be easily connected to cameras. They are convenient when making your own unique cables.

PC-XC04



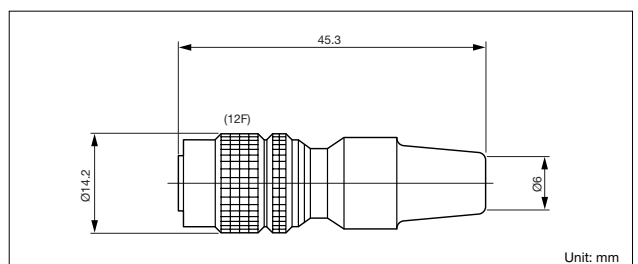
- 4-pin/male



PC-XC12



- 12-pin/female



Non-TV Format

TV Format
BMW Model
Color Model

Intelligent

Digital Interface
IEEE1394
Camera Link compatible

Accessories

Color PTZ Model

Color Camara Block