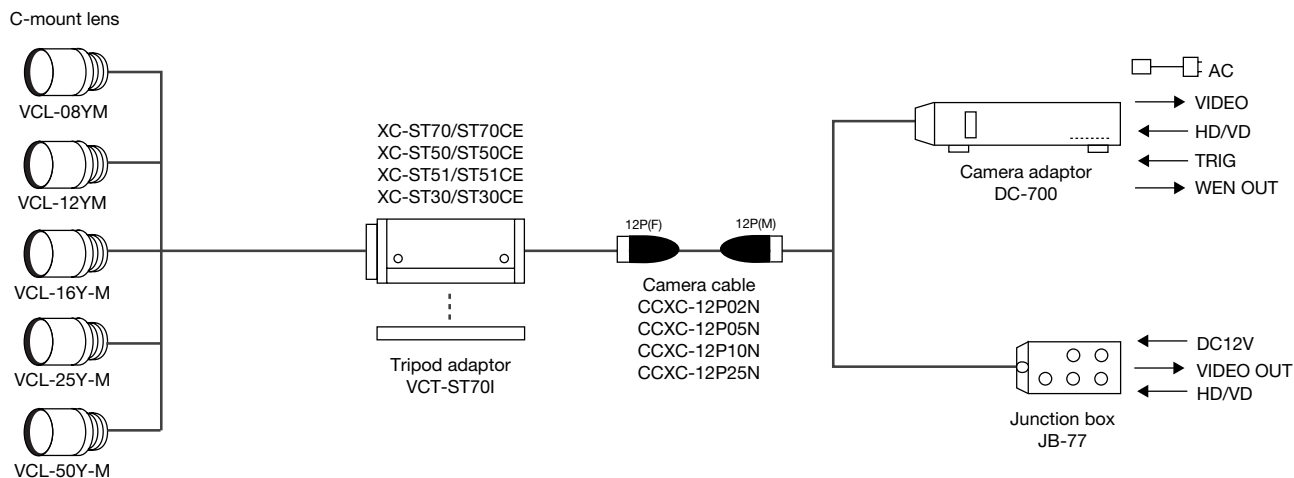


# Connection Diagram

## XC-ST Series



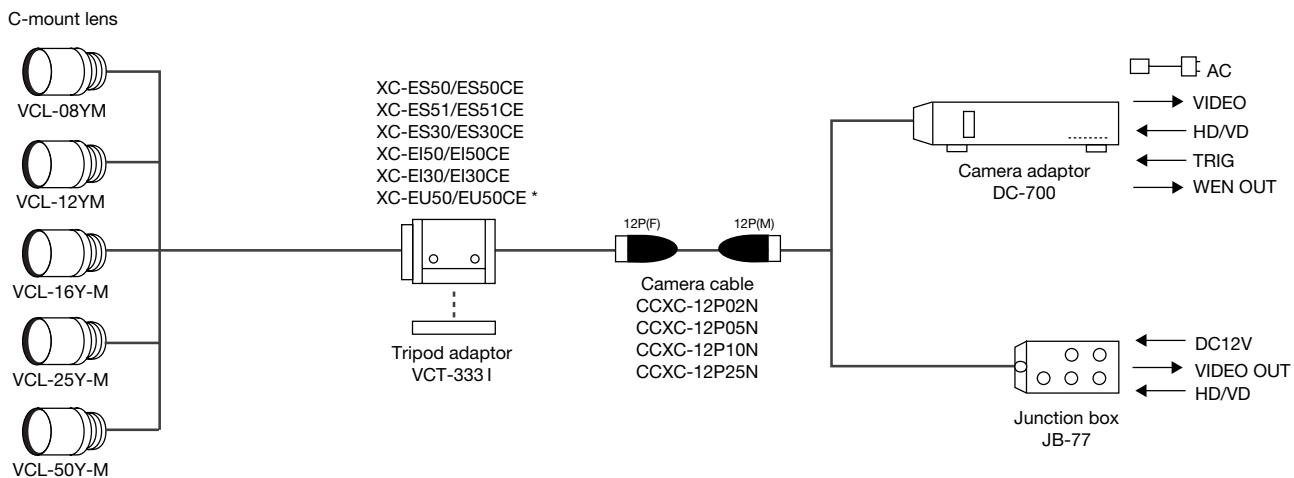
○ : Usable    × : Not usable

XC-ST Series	JB-77
Normal	○
Normal shutter	○
Restart/reset (R.R)	○
External trigger shutter	×

### Note

When using the JB-77, not all of the XC-ST series functions can be used. See the table on the right.

## XC-E Series



○ : Usable    × : Not usable

XC-E Series	JB-77
Normal	○
Normal shutter	○
Restart/reset (R.R)	○
External trigger shutter	×

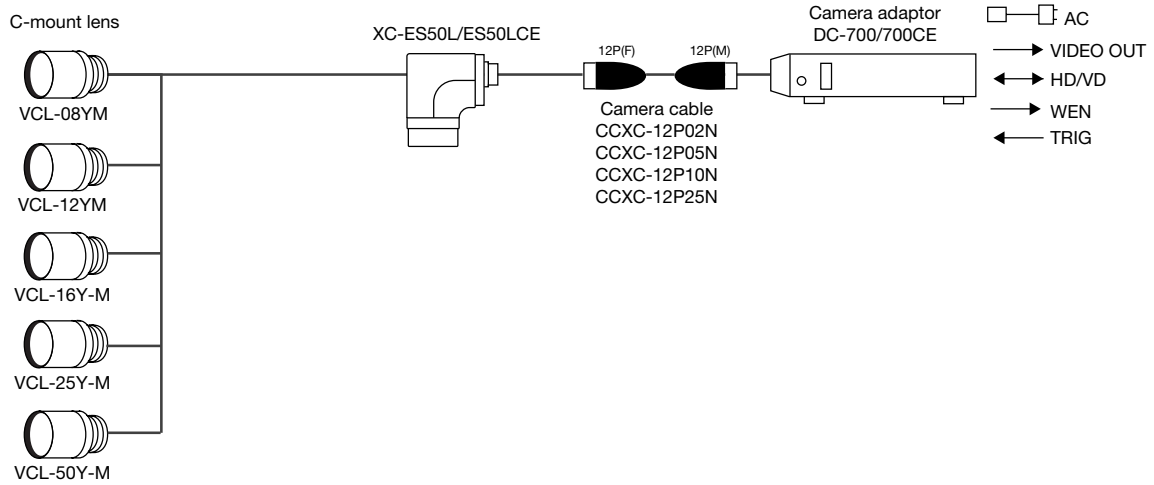
### Note

When using the JB-77, not all of the XC-E series functions can be used. See the table on the right.

\* The XC-EU50/50CE can use only the VCL-50Y-M. For information about compatibility with lenses of other manufacturers, please contact your authorized Sony dealer.

# Connection Diagram

## XC-ES50L/XC-ES50LCE



## XC-555/555P

