

SONY®

Component/OEM

B/W Digital Video Cameras

XCD-SX910
XCD-SX910CR
XCD-X710
XCD-X710CR



Features



The XCD-SX910/SX910CR and XCD-X710/X710CR cameras are the latest additions to Sony's IEEE 1394 digital camera family. These cameras employ a progressive scan CCD with square pixels, making them ideal for a wide variety of industrial applications.

The XCD-SX910 and XCD-SX910CR cameras incorporate a 1/2 type 1,450,000 pixels CCD and offer SXGA resolution images. The XCD-X710 and XCD-X710CR cameras incorporate a 1/3 type 800,000 pixels CCD and offer XGA resolution images. What's more, the XCD-SX910CR and XCD-X710CR cameras use a CCD with a color mask (commonly called a "Bayer filter") and output the "raw color" pixel values in 8 or 10 bit to be converted to a color image on the computer. The color conversation that takes place in the computer is supported by Sony's new IEEE 1394 software and most 3rd party Firewire® (IIDC) compatible software.

These cameras incorporate an external trigger function, allowing for fast moving objects or still images to be clearly captured even in low light environments. A variety of convenient features such as partial scan* (16 x 16 zones) and selectable output modes (frame rate/bit depth) make these cameras extremely flexible. With their high frame rates and compact, robust design, these cameras are the right choice for quality-critical applications ranging from demanding factory automation and semiconductor inspection to food, agriculture and pharmaceutical applications of machine vision.

High resolution with progressive scan square pixel CCD

- XCD-SX910/XCD-SX910CR: 1/2" IT CCD
- SXGA, 1280(H) x 960(V) with a maximum resolution of 1376 x 1024
- XCD-X710/XCD-X710CR: 1/3" IT CCD
- XGA, 1024(H) x 768(V)

IEEE 1394 Digital Camera (IIDC) Specification Version 1.30 compliant

Selectable frame rate

- XCD-SX910/XCD-SX910CR: Up to 15 fps
- XCD-X710/XCD-X710CR: Up to 30 fps

8-bit (Mono8) or 10-bit (Mono16) output

External trigger input/Exposing output function (BNC)

Partial scan (16 x 16 selectable zones in trigger mode)

Binning function (1 x 2, 2 x 2)

Fast hardware or software asynchronous trigger

Auto/Manual shutter exposure (1/100,000 ~ 17.5 sec)

Auto/Manual gain

- XCD-SX910/X710: 0 to 24 dB, 0.35 dB steps
- XCD-SX910CR/XCD-SX710CR: 0 to 18 dB, 0.035 dB steps

C mount

High shock and vibration tolerance

Lead-free solder mounting board

Optional Accessories

Tripod adaptor

VCT-ST70I

Isolated type

Approx. 14 g (0.5 oz)

Dimensions: 40 (W) x 6 (H) x 59 (D) mm
(1-5/8 x 1/4 x 2-3/8 inches)

Supported Video Mode

XCD-SX910

| Fixed format | | | | | | | |
|--------------|------|--------------------|--------------|------------------|-----|------|-------|
| Format | Mode | Image size (H x V) | Color coding | Frame rate (fps) | | | |
| | | | | 15 | 7.5 | 3.75 | 1.875 |
| 0 | 5 | 640 x 480 | Mono8 | Yes | Yes | Yes | - |
| 1 | 6 | 640 x 480 | Mono16 | - | Yes | Yes | - |
| | 2 | 800 x 600 | Mono8 | Yes | Yes | - | - |
| | 5 | 1024 x 768 | Mono8 | Yes | Yes | Yes | Yes |
| | 6 | 800 x 600 | Mono16 | - | Yes | Yes | - |
| | 7 | 1024 x 768 | Mono16 | - | Yes | Yes | Yes |
| 2 | 2 | 1280 x 960 | Mono8 | Yes | Yes | Yes | Yes |
| | 6 | 1280 x 960 | Mono16 | - | Yes | Yes | Yes |

| Free format | | | | | | | | |
|-------------|------|-------------------------------|--------------|--------------|------------------|-----|-----|------|
| Format | Mode | Image size (H x V) | Color coding | Partial scan | Frame rate (fps) | | | |
| | | | | | 30 | 15 | 7.5 | 3.75 |
| 7 | 0 | 1280 x 960 | Mono8 | 16 x 16 | - | - | - | - |
| | | | Mono16 | 16 x 16 | - | - | - | - |
| | 1 | 640 x 480 (2 x 2 binning) | Mono8 | - | Yes | Yes | - | - |
| | | | Mono16 | - | - | Yes | Yes | - |
| | 2 | 1280 x 480 (1 x 2 binning) | Mono8 | - | Yes | Yes | - | - |
| | | | Mono16 | - | - | Yes | Yes | - |
| | 3 | 1376 x 1024 | Mono8 | - | - | Yes | Yes | - |
| | | | Mono16 | - | - | - | Yes | Yes |
| | 4 | 1024 x 1024 | Mono8 | - | - | Yes | Yes | - |
| | | | Mono16 | - | - | - | Yes | Yes |

XCD-X710

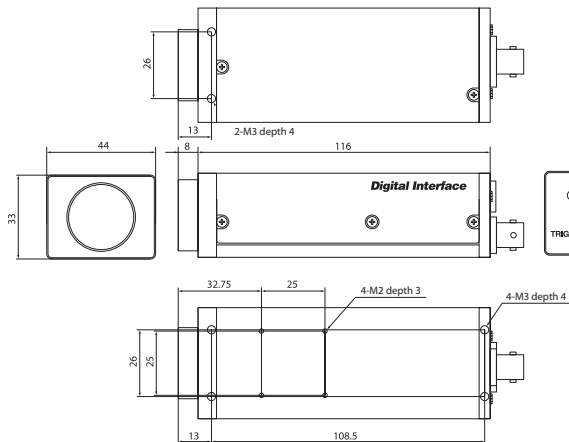
| Fixed format | | | | | | | | |
|--------------|------|--------------------|--------------|------------------|-----|-----|------|-------|
| Format | Mode | Image size (H x V) | Color coding | Frame rate (fps) | | | | |
| | | | | 30 | 15 | 7.5 | 3.75 | 1.875 |
| 0 | 5 | 640 x 480 | Mono8 | Yes | Yes | Yes | Yes | - |
| | 6 | 640 x 480 | Mono16 | - | Yes | Yes | Yes | - |
| 1 | 2 | 800 x 600 | Mono8 | Yes | Yes | Yes | - | - |
| | 5 | 1024 x 768 | Mono8 | Yes | Yes | Yes | Yes | Yes |
| | 6 | 800 x 600 | Mono16 | - | Yes | Yes | Yes | - |
| | 7 | 1024 x 768 | Mono16 | - | Yes | Yes | Yes | Yes |

| Free format | | | | | | | |
|-------------|------|-------------------------------|--------------|--------------|------------------|-----|------|
| Format | Mode | Image size (H x V) | Color coding | Partial scan | Frame rate (fps) | | |
| | | | | | 50 | 25 | 12.5 |
| 7 | 0 | 1024 x 768 | Mono8 | 16 x 16 | - | - | - |
| | | | Mono16 | 16 x 16 | - | - | - |
| | 1 | 512 x 384 (2 x 2 binning) | Mono8 | - | Yes | Yes | - |
| | | | Mono16 | - | - | Yes | Yes |
| | 2 | 1024 x 384 (1 x 2 binning) | Mono8 | - | Yes | Yes | - |
| | | | Mono16 | - | - | Yes | Yes |

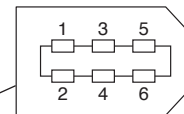
Specifications

| | XCD-SX910 | XC-SX910CR | XCD-X710 | XCD-X710CR |
|----------------------------|---|--|--|--|
| Image device | 1/2 type progressive scan IT CCD | | 1/3 type progressive scan IT CCD | |
| Effective picture elements | 1,392 (H) x 1,040 (V); 1,450,000 pixels | | 1,034 (H) x 779 (V); 800,000 pixels | |
| Output image size | SXGA: 1,280 (H) x 960 (V), Max. 1,376 (H) x 1,024 (V) | | XGA: 1,024 (H) x 768 (V) | |
| Cell size | 4.65 μm (H) x 4.65 μm (V) | | | |
| Lens mount | C mount | | | |
| Minimum illumination | 4 lx (F0.95 lens open, +18 dB gain) | 20 lx (F0.95 lens open, +18 dB gain) | 4 lx (F0.95 lens open, +18 dB gain) | 20 lx (F0.95 lens open, +18 dB gain) |
| Digital interface | IEEE 1394-1995 | | | |
| Transfer rate | 400/200 Mbps | | | |
| Frame rate | 15/7.5/3.75/1.875 fps | | 30/15/7.5/3.75/1.875 fps | |
| Gain control | Auto/manual (0 to 24 dB, 0.035 dB steps) | Auto/manual (0 to 18 dB, 0.035 dB steps) | Auto/manual (0 to 24 dB, 0.035 dB steps) | Auto/manual (0 to 18 dB, 0.035 dB steps) |
| White Balance | - | R/B Gain Control | - | R/B Gain Control |
| Hue | - | G Gain | - | G Gain |
| Optical Filter | - | Bayer Output | - | Bayer Output |
| External shutter | 1/100,000 to 17.5 s | | | |
| External trigger shutter | Trigger start (mode0), trigger start and exposure duration (mode1) | | | |
| Partial scan | 256 zones (16 x 16) | | | |
| Power requirements | DC 8 to 30 V (from IEEE 1394 camera cable) | | | |
| Dimensions | 44 (W) x 33 (H) x 116 (D) mm (1 3/4 x 1 15/16 x 4 5/8 inches) | | | |
| Mass | 250 g (9 oz) | | | |
| Operating temperature | -5 to +45 °C (23 to 113 °F) | | | |
| Storage temperature | -30 to +60 °C (-22 to +140 °F) | | | |
| Operating humidity | 20 to 80% (non condensing) | | | |
| Storage humidity | 20 to 95% (non condensing) | | | |
| Vibration | 10 G (20 to 200 Hz) | | | |
| Shock resistance | 70 G | | | |
| Regulations | UL60950 listed, FCC Class B Digital Device, CE (EN61326) | | | |
| Supplied accessories | Lens mount cap (1), Operating instructions (1), Cable (1), Clamp filter (2) | | | |
| Optional accessories | VCT-ST70I Tripod Adaptor | | | |

Dimensions

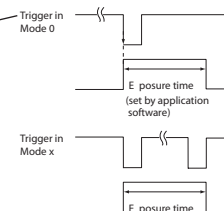


Pin Assignment



- 1: Power
- 2: Power
- 3: TPB-
- 4: TPB+
- 5: TPA-
- 6: TPA+

Trigger Shutter



SONY®

Sony Electronics Inc.
 1 Sony Drive
 Park Ridge, New Jersey 07656
 1-800-686-SONY
www.sony.com/videocameras

©2004 Sony Electronics Inc. All rights reserved.
 Reproduction in whole or in part without written permission is prohibited.
 Design, features, and specifications are subject to change without notice.
 All non-metric weights and measurements are approximate.
 Some images in this catalog are simulated.
 Sony, Advanced HAD, and VISCA are trademarks of Sony.

image is
 everything™