

CONVEX 2PH MICROSTEP DRIVER series

CSMD2-B440-CE

▲CSMD2-B440-CE

**FEATURES**

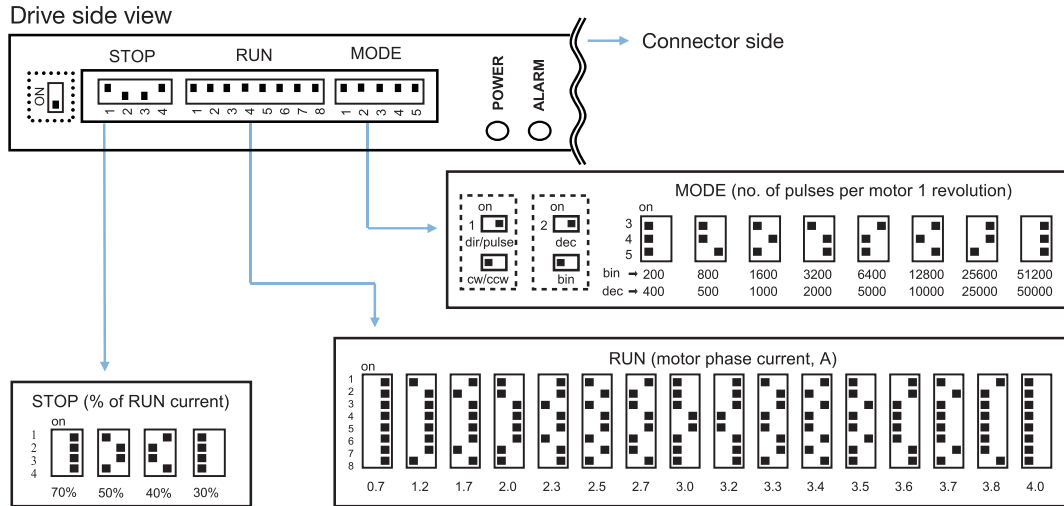
- CE Certified Driver
- High Performance and Reliability
- Bipolar Type Microstep Driver
- High Resolution up to 51200
- Output Current up to 4A / Phase
- Reducing Motor Vibration by Microstep
- General Applications

SPECIFICATIONS

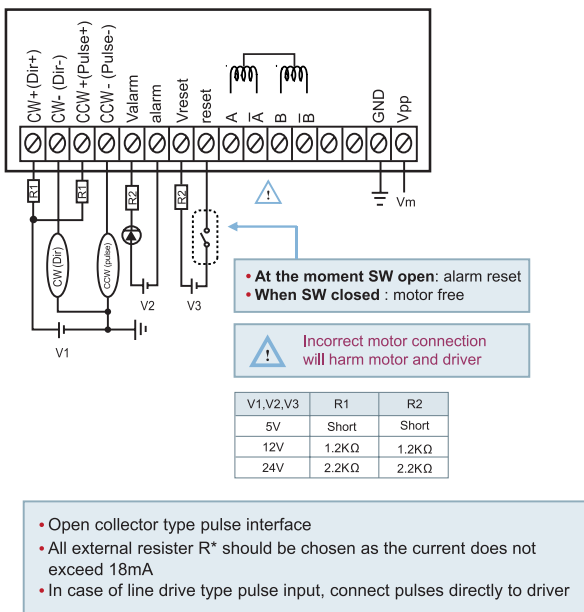
Item	Description
Driver Input Voltage	DC 15 ~ 36 V
Driver Output Current	0.7 ~ 4A / Phase (16 Level)
Excitation	Constant Current PWM Bipolar
Resolution (Pulse per Motor 1 Revolution)	200, 400, 500, 800, 1000, 1600, 2000, 3200, 5000, 6400, 10000, 12800, 25000, 25600, 50000, 51200
Input Pulse Type	1 Pulse : Direction, Pulse 2 Pulse : CW, CCW Pulse Photocoupler Isolation
Maximum Input Pulse Frequency	500kHz (500kpps)

Item	Description
Control Input Signal	Alarm Reset : Edge Motor Free : Level Photocoupler Isolation
Control Output Signal	Alarm Out or Timing(option) Photocoupler Isolation
Function	Auto Power Save 4 Level Selection : 30%, 40%, 50%, 70%
LED Display	Power On Alarm State
Protection	Over Current Arm Short
Operating Temperature	0 ~ 50°C

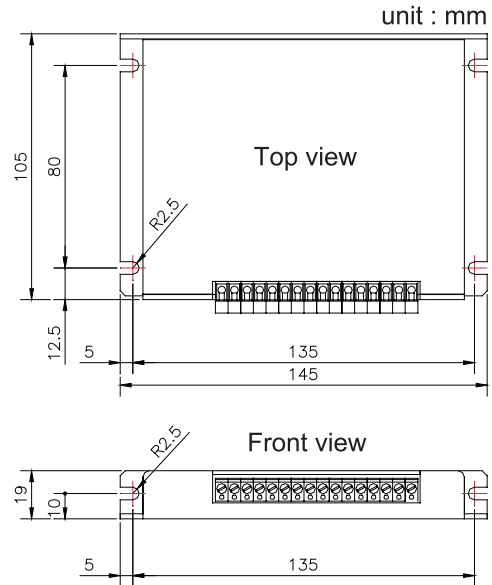
Driver Connection Example



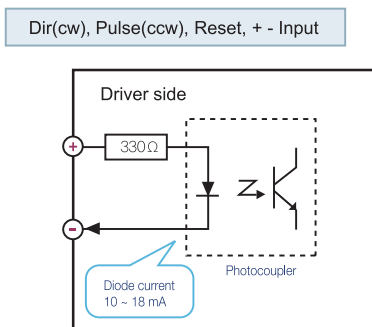
Driver Connection Example



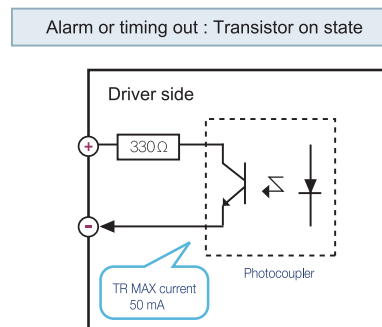
Case Dimension



Driver In Photocoupler Circuit



Driver Out Photocoupler Circuit



More information : See driver manual or technical report in our web