

CONVEX 2PH MICROSTEP DRIVER series

**CSMD2-U440-CE**

▲CSMD2- U440 -CE

**FEATURES**

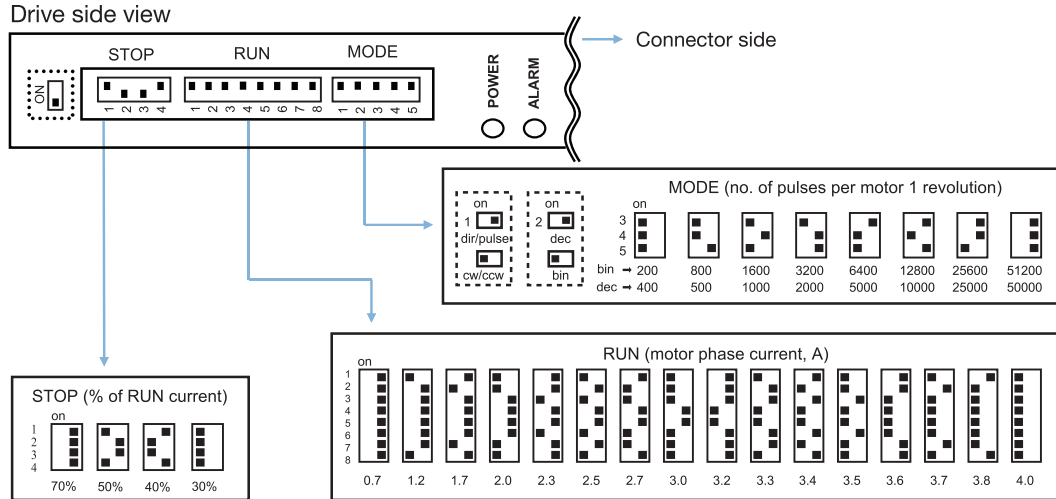
- CE Certified Driver
- High Performance and Reliability
- Unipolar Type Microstep Driver
- High Resolution up to 51200
- Reducing Motor Vibration by Microstep
- Output Current up to 4A / Phase
- General Applications

**SPECIFICATIONS**

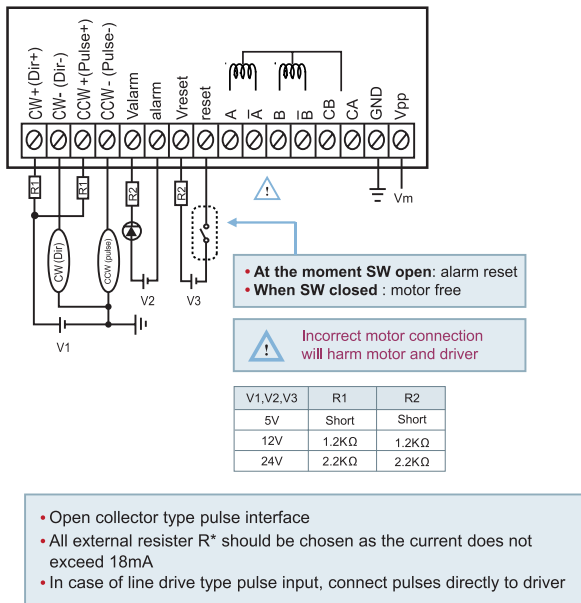
Item	Description
Driver Input Voltage	DC 15 ~ 36 V
Driver Output Current	0.7 ~ 4A / Phase (16 Level)
Excitation	Constant Current PWM Unipolar
Resolution (Pulse per Motor 1 Revolution)	200, 400, 500, 800, 1000, 1600, 2000, 3200, 5000, 6400, 10000, 12800, 25000, 25600, 50000, 51200
Input Pulse Type	1 Pulse : Direction, Pulse 2 Pulse : CW, CCW Pulse Photocoupler Isolation
Maximum Input Pulse Frequency	500kHz (500kpps)

Item	Description
Control Input Signal	Alarm Reset : Edge Motor Free : Level Photocoupler Isolation
Control Output Signal	Alarm Out or Timing(option) Photocoupler Isolation
Function	Auto Power Save 4 Level Selection : 30%, 40%, 50%, 70%
LED Display	Power On Alarm State
Protection	Over Current Arm Short
Operating Temperature	0 ~ 50°C

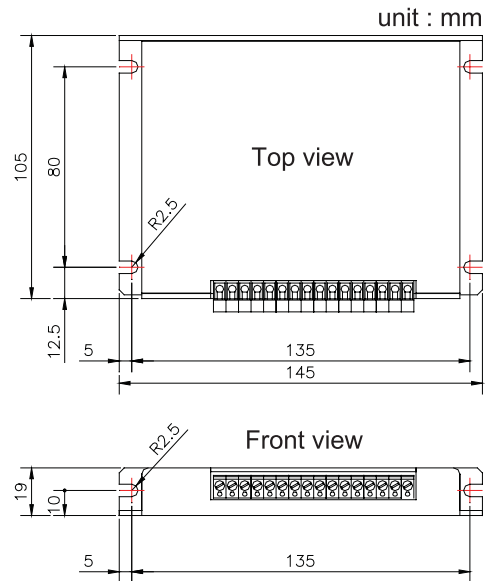
### Mode Selection and Current Setting



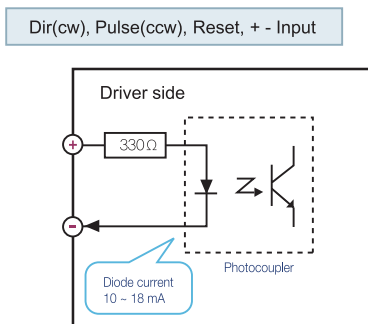
### Driver Connection Example



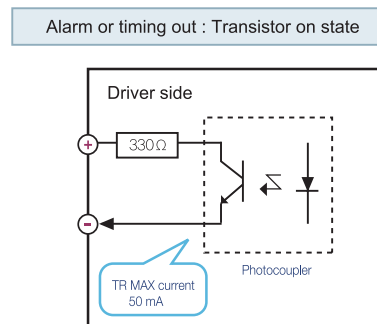
### Case Dimension



### Driver In Photocoupler Circuit



### Driver Out Photocoupler Circuit



More information : See driver manual or technical report in our web