

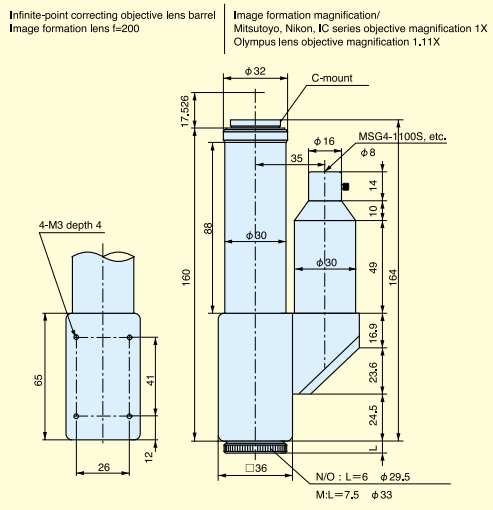


Metallographic microscope coaxial unit

SOD-III Series For mounting a machine



SOD-III



* Lens barrel designed for infinite-point correcting objectives
* Image formation lens f=200 - Please use an infinite-point correcting objective lens (bright field). When using an Olympus lens, optical magnification at the image formation plane is the objective lens's magnification times 1.11.

Features

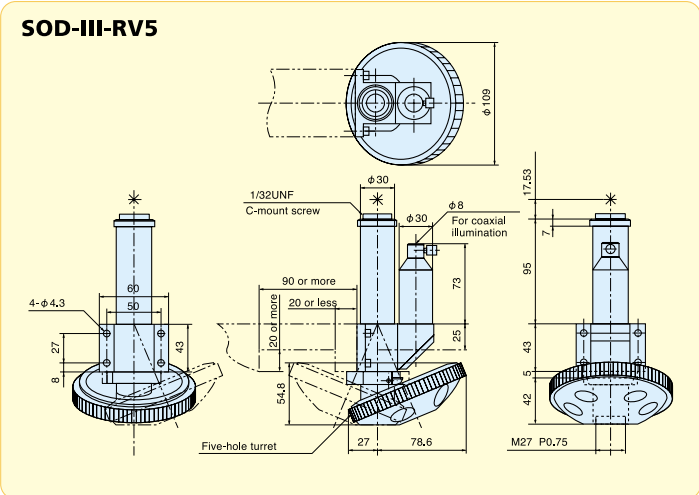
- Compact design
- Compatible with various makers' bright field lenses
- Mount in many different ways such as horizontal setting

Applications

- Fiber end inspection
- Liquid crystal defective inspection and alignment
- Wafer defective inspection and alignment

SOD-III Series

- SOD-III RV5** Five-hole manual revolver type **Made to order**
- SOD-III RV5M** Five-hole electric revolver type **Made to order**



OLYMPUS

Product name	NA	WD(mm)	Price
M SPlan 1.5 x	0.04	2	126,500
M SPlan 2.5 x	0.07	5	93,500
M SPlan 5 x	0.13	21.1	44,000
M SPlan 10 x	0.3	9	58,300
ULWDMSPan 20 x	0.4	11	127,600
ULWDMSPan 50 x	0.55	8.1	145,200
ULWDMSPan 80 x	0.75	4.1	229,900
ULWDMSPan 100 x	0.8	3.18	308,000

Mitsutoyo

Product name	NA	WD(mm)	Price
M Plan Apo 1 x	0.025	11	200,000
M Plan Apo 2 x	0.055	34	66,000
M Plan Apo 5 x	0.14	34	40,000
M Plan Apo 10 x	0.28	33.5	55,000
M Plan Apo SL 20 x	0.28	30.5	145,000
M Plan Apo SL 50 x	0.42	20.5	220,000
M Plan Apo SL 80 x	0.5	15	270,000
M Plan Apo SL 100 x	0.55	13	300,000

Nikon

Product name	NA	WD(mm)	Price
CF IC EPI Plan 1.5 x	0.045	3.6	190,000
CF IC EPI Plan 2.5 x	0.075	8.8	79,000
CF IC EPI Plan 5 x	0.13	22.5	40,000
CF IC EPI SLWDPlan 10 x	0.21	20.3	90,000
CF IC EPI SLWDPlan 20 x	0.35	20.5	135,000
CF IC EPI SLWDPlan 50 x	0.45	13.8	170,000
CF IC EPI SLWDPlan 100 x	0.73	4.7	320,000