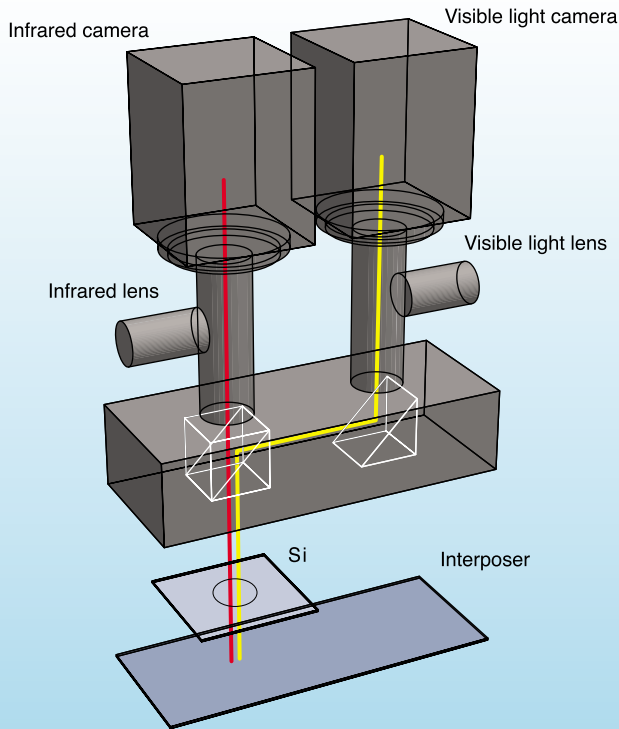


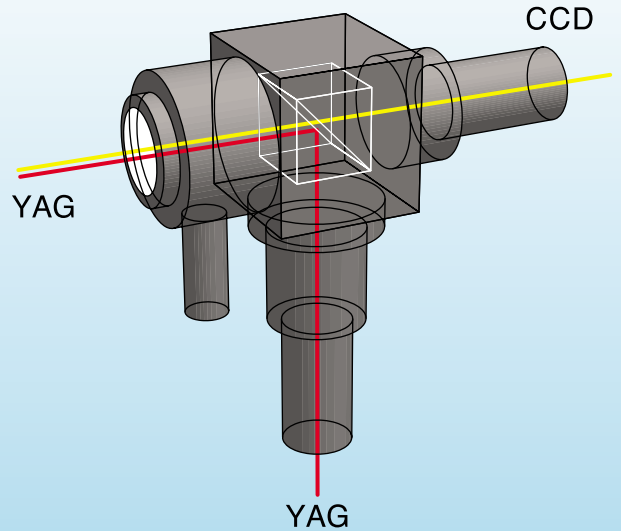
# Total optical illumination system

## Infrared ray transmitting system



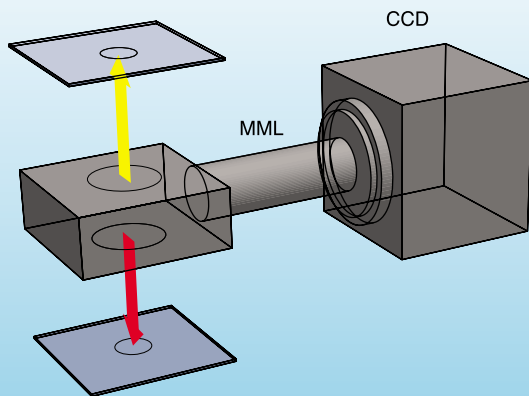
A total lens and light system that uses infrared ray to transmit Si, GaAS, or Ge substrate and recognize patterns on their backsides.

## YAG laser optical system



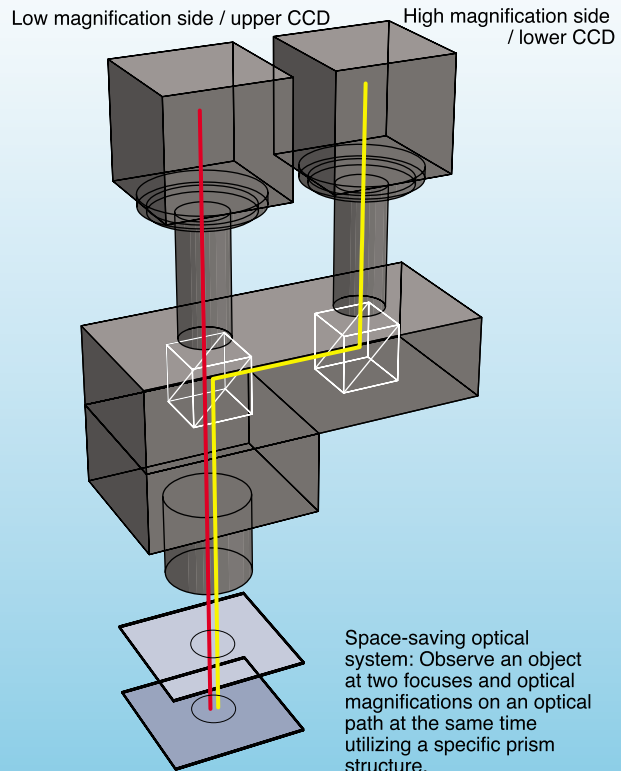
Space-saving optical system to check YAG laser welding and assemble on an optical path using a CCD.

## Top and bottom double field optical system (1CCD method) (2CCD method)



Space-saving optical system to stick together two things that are facing each other.

## Twin-lens 2X magnification / twin-lens bifocal optical system



Space-saving optical system: Observe an object at two focuses and optical magnifications on an optical path at the same time utilizing a specific prism structure.

Total optical illumination system

Various OEM applications are available with combinations of more than 100 standard products and lights. Please contact us if you are interested.