



- Optical Principle
- Incremental measurement
- 30 up to 42 mm shaft diameters
- 1.024 pulse standard resolutions
- 300 KHz response frequency
- 100 mm body size

### TECHNICAL SPECIFICATIONS

Process Temperature	- 25 to 85 °C
Stock Temperature	- 40 to 100 °C
Body Diameter	100 mm
Response Frequency	300 KHz
Operating Speed	6.000 RPM max.
Shaft Diameter	30 mm, 32 mm, 38 mm, 40 mm, 42 mm

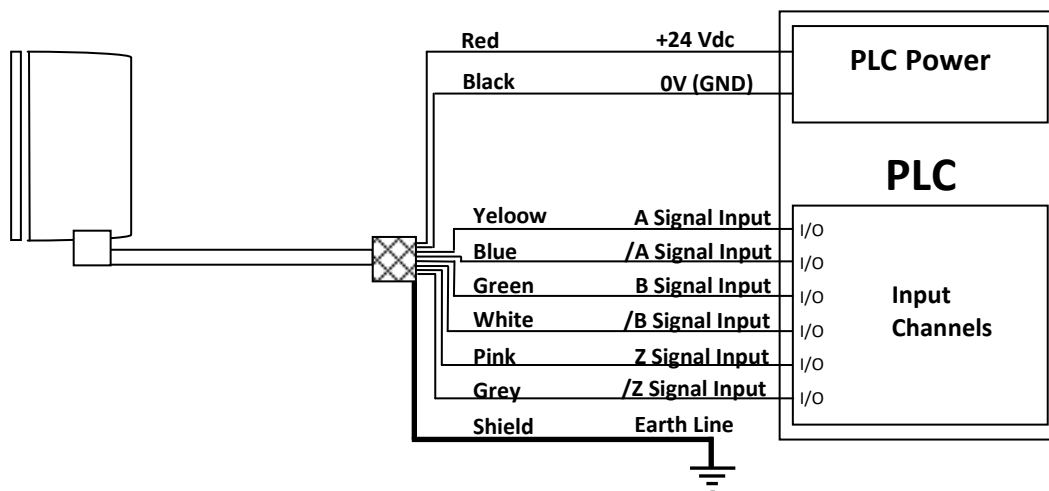
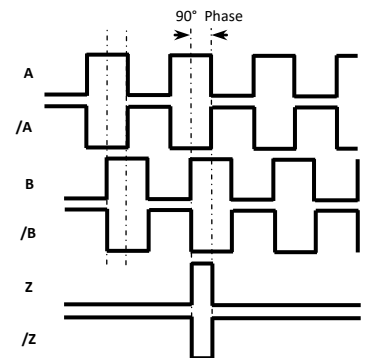
### ELECTRICAL SPECIFICATIONS

Supply Voltage	+5 VDC, +10VDC...30VDC
Supply Current	50mA Nominal
Output Type	Push Pull, TTL Line Driver, Open Collector
Output Signals	A, /A, B, /B, Z, /Z
Output Current	100mA max. (Every Channel)
Connection	5 or 8 x 0,14 mm <sup>2</sup> Cable with Shield

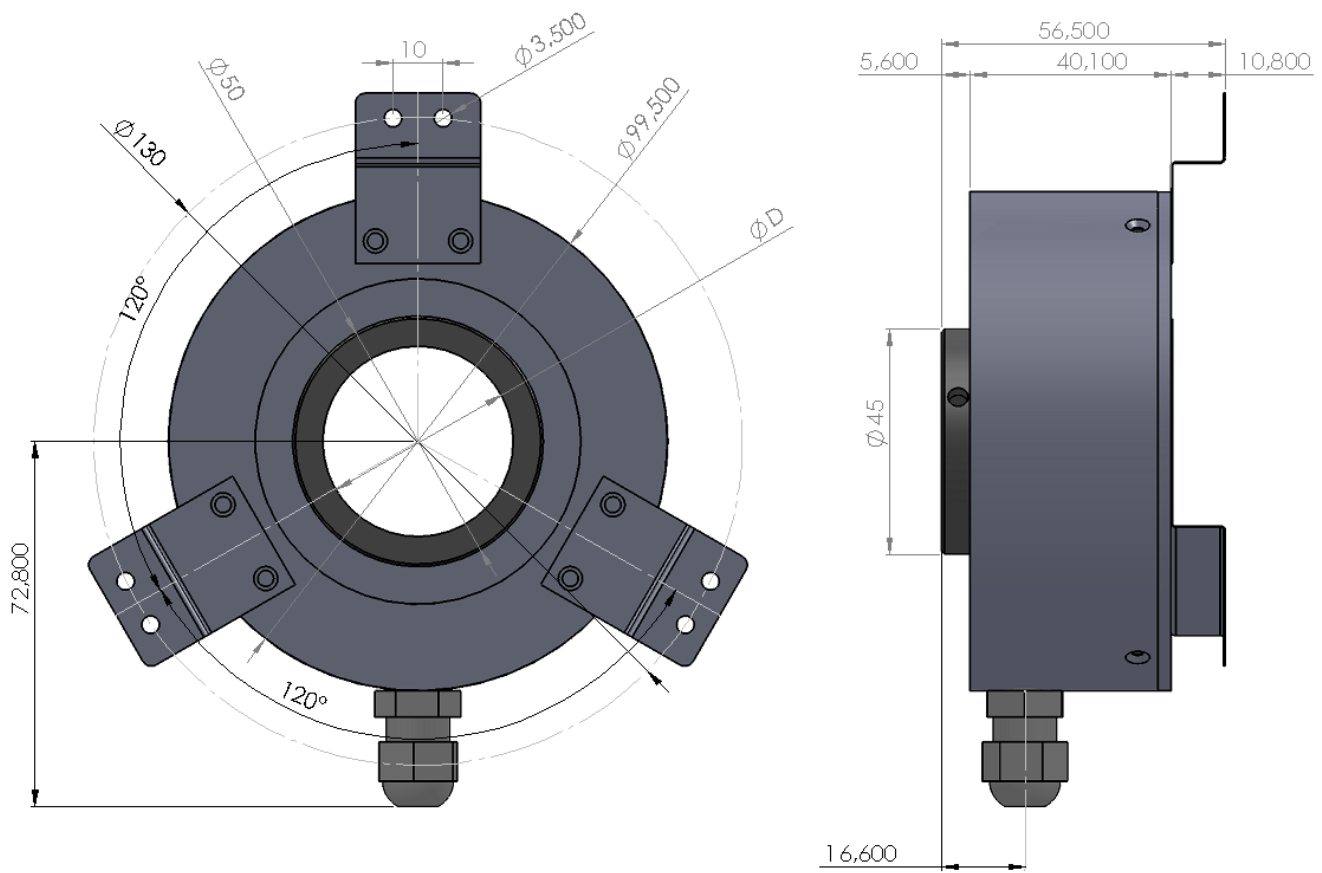
### OUTPUT SIGNALS

PIN NO	SIGNAL	CABLO COLOR
1	A	YELLOW
2	/B	WHITE
3	+V	RED
4	0 V	BLACK
5	/A	BLUE
6	B	GREEN
7	/Z	GREY
8	Z	PINK
9	GROUND	SHIELD

The cable colors of the output signals of the left table sensor are given. If the control circuit is available, the output signals (/ A, / B, / Z) of the Line Driver sensors must be included in the system. If the control circuit is not available, the wires of the A, / B, / Z signals must be fixed separately. It should not be forgotten that there is electricity also at these edges.



## MECHANICAL DIMENSIONS



## ORDER CODING

Series	Body Size	Resolutions	Power Supply and Output	Output Signals	Cable Length	Hole Diameter	Flange Type	
ARC : Optical	100 : 100 mm	1024 : 1024 Pulse	PP : 10...30 VDC Supply : 10...30VDC Output TTL : 5 VDC Supply : 5 VDC TTL Output HTL : 10...30 VDC Supply : 5 VDC TTL Output HPL : 5...24 VDC Supply : 5...24 VDC Push-Pull Output OCL : Open Collector	3 : A, B, Z 6 : A, /A, B, /B, Z, /Z	3M : 3M (Standard) 5M : 5M 8M : 8M 10M : 10M * Optional up to 35 meters	30 : 30 mm 32 : 32 mm 38 : 38 mm 40 : 40 mm 42 : 42 mm	FZ : "Z" Type Flange	
ARC	H	100	XXX	XXX	X	XM	X	XX
	Shaft Type H : Hollow Shaft							

## Atek Sensor Technology A.S.



Tuzla Kimya Sanayicileri Org. San. Bolg. Melek Aras Bulvari, No:67 34956 Tuzla - Istanbul / TURKEY  
 Tel: +90 216 399 44 04 Fax: +90 216 399 44 02  
[www.ateksensor.com](http://www.ateksensor.com) [info@ateksensor.com](mailto:info@ateksensor.com)