

- Optic principle
- Incremental measurement
- Resolution options from 1024 to 20000 pulses *
- 10, 12, 14, 15 or 16 mm hole diameters
- 300 KHz response frequency
- 58 mm body diameter

TECHNICAL SPECIFICATIONS

Operating Temperature	- 25 to 85 °C
Stock Temperature	- 40 to 100 °C
Body Diameter	58 mm
Response Frequency	300 KHz
Operating Speed	6.000 RPM max.
Hole Diameter	10 mm, 12 mm, 14 mm, 15mm, 16mm

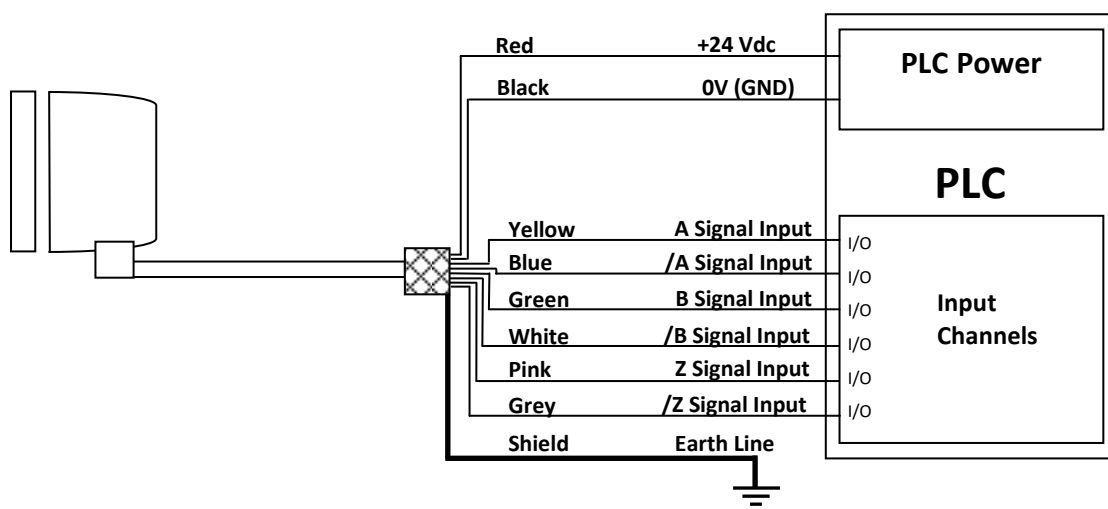
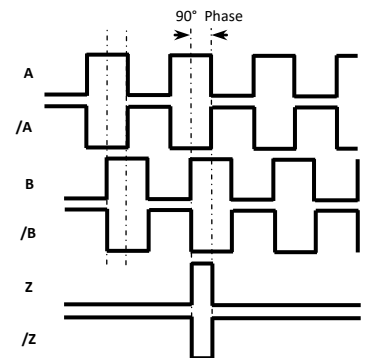
ELECTRICAL SPECIFICATIONS

Supply Voltage	+5 VDC, +10VDC...30VDC
Supply Current	50mA Nominal
Output Type	Push Pull, TTL Line Driver, Open Collector
Output Signals	A, /A, B, /B, Z, /Z
Output Current	100mA max. (Every Channel)
Connection	5 or 8 x 0,14 mm ² Cable with shield

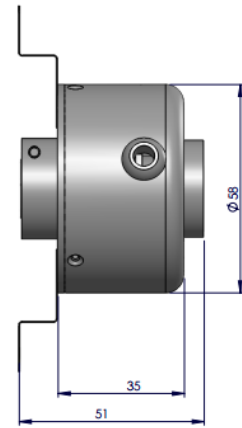
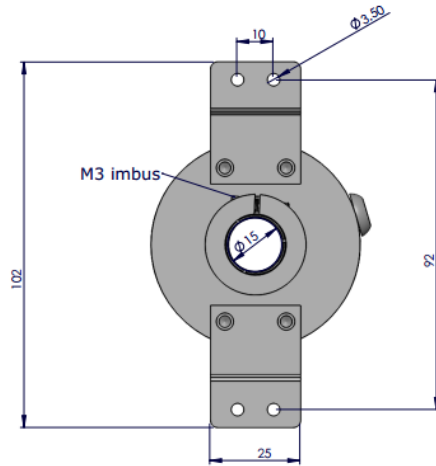
OUTPUT SIGNALS

PIN NO	SIGNAL	CABLE COLOR
1	A	YELLOW
2	/B	WHITE
3	+V	RED
4	0 V	BLACK
5	/A	BLUE
6	B	GREEN
7	/Z	GREY
8	Z	PINK
9	GROUND	SHIELD

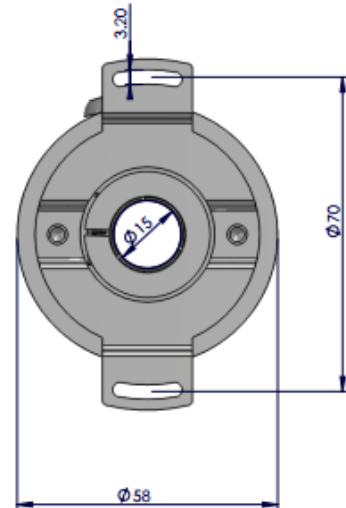
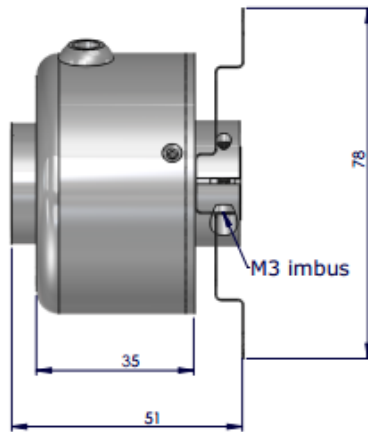
The cable colors of the output signals of the left table sensor are given. If the control circuit is available, the output signals (/ A, / B, / Z) of the Line Driver sensors must be included in the system. If the control circuit is not available, the wires of the A, / B, / Z signals must be fixed separately. It should not be forgotten that there is electricity also at these edges.



FZ - "Z" Type Flange



FC – Circular Flange



ORDER CODING

<p>Series ARC : Optic</p>	<p>Body Diameter 58 : 58 mm</p>	<p>Power Supply and Output PP : 10...30 VDC Supply : 10...30VDC Output TTL : 5 VDC Supply : 5 VDC TTL Output HTL : 10...30 VDC Supply : 5 VDC TTL Output HPL : 5...24 VDC Supply : 5...24 VDC Push-Pull Output OPL : Open Collector</p>	<p>Cable Length 3M : 3M (Standard) 5M : 5M 8M : 8M 10M : 10M *Optional, up to 35 meters</p>	<p>Flange Type FZ : "Z" Type Flange FC : Circular Flange</p>				
ARC	H	58	1024	XXX	X	XM	XX	XX
<p>Shaft Type H : Hollow Shaft</p>		<p>Resolution 1024 : 1024 Pulse Please see for other options Resolution*</p>		<p>Output Signals 3 : A, B, Z 6 : A, /A, B, /B, Z, /Z</p>		<p>Hole Length 10 : 10 mm 12 : 12 mm 14 : 14 mm 15 : 15 mm 16 : 16 mm</p>		

*Resolution:
1024 – 1250 – 4096 – 8192 – 10000 – 16384 – 20000 (Optional)

