



- Magnetic principle operation
- Incremental measurement
- 6, 8 or 10 mm shaft diameter
- Resolution from 4 to 4,096 pulses
- 300 KHz response frequency

TECHNICAL SPECIFICATIONS

Operating Temperature	- 25 to 85 °C
Storage Temperature	- 40 to 100 °C
Body Diameter	37 mm
Response Frequency	300 KHz
Operating Speed	3.000 RPM max
Shaft Diameter	8mm (Optional 6 or 10)

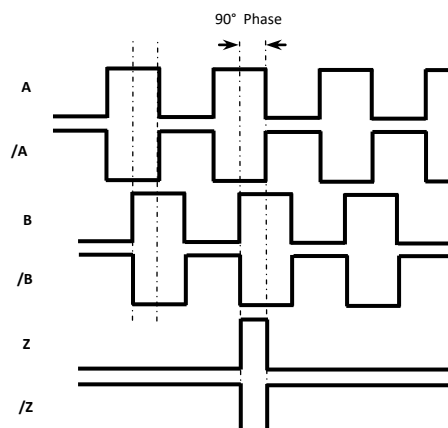
ELECTRICAL SPECIFICATIONS

Supply Voltage	+5 VDC, +10VDC...30VDC
Supply Current	50mA Nominal
Output Type	Push Pull, TTL Line Driver
Output Signals	A, /A, B, /B, Z, /Z
Output Current	100mA max (Each channel)
Connection	8 x 0,14 mm ² Cable with shield

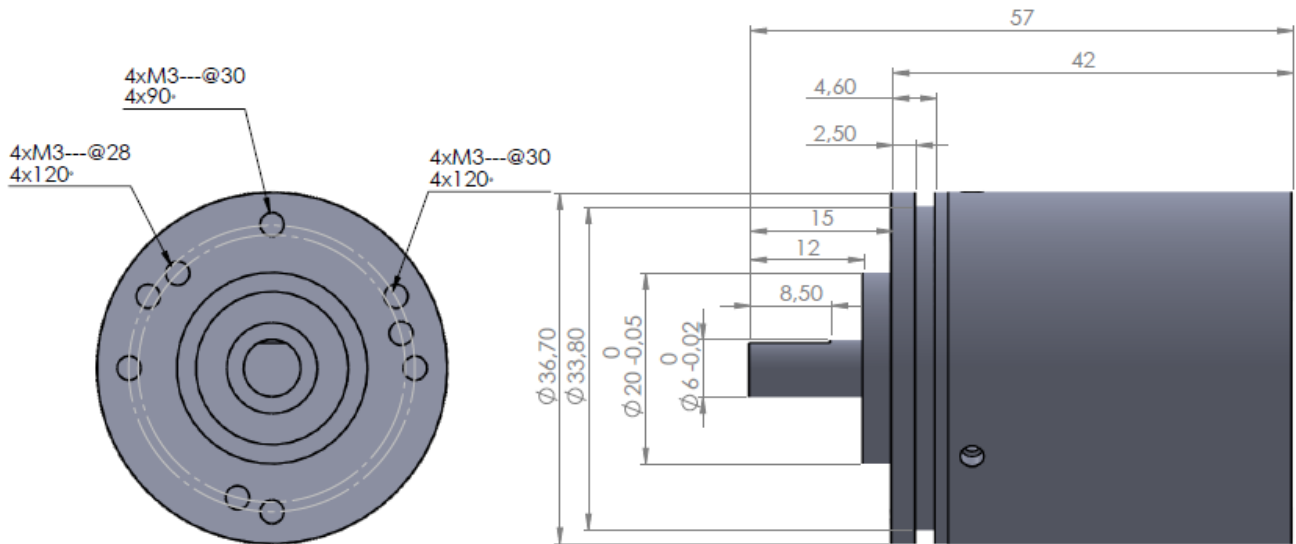
OUTPUT SIGNALS

PIN NO	SIGNAL	CABLE COLOR
1	A	YELLOW
2	/B	WHITE
3	+V	RED
4	0 V	BLACK
5	/A	BLUE
6	B	GREEN
7	/Z	GREY
8	Z	PINK
9	GROUND	SHIELD

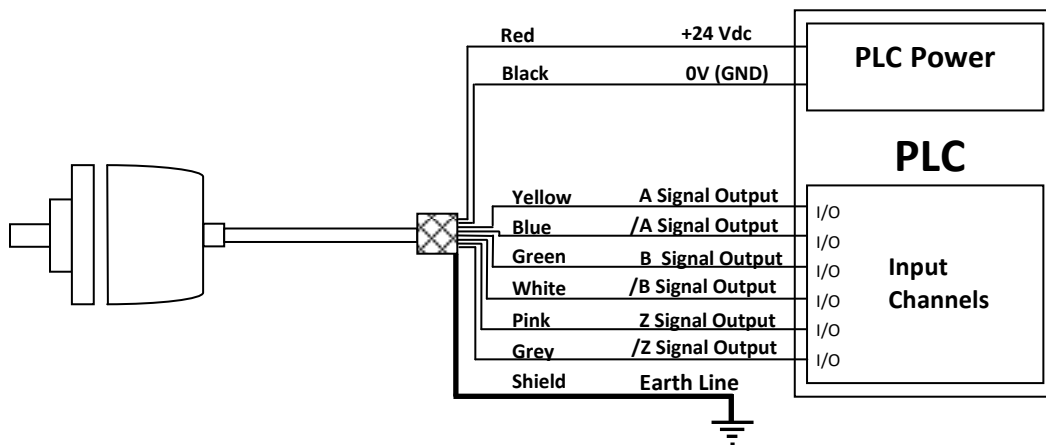
The cable colors of the output signals of the left table sensor are given. If the control circuit is available, the output signals (/ A, / B, / Z) of the Line Driver sensors must be included in the system. If the control circuit is not available, the wires of the A, / B, / Z signals must be fixed separately. It should not be forgotten that there is electricity also at these edges.



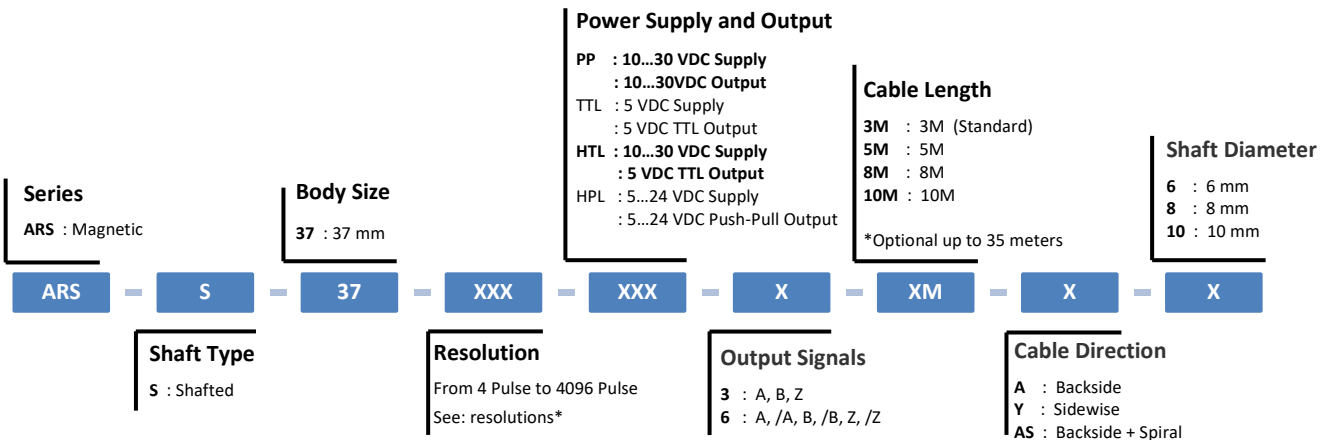
MECHANICAL MEASUREMENTS



SAMPLE APPLICATION



ORDER CODING



*Resolutions:

4 - 8 - 16 - 20 - 25 - 32 - 40 - 50 - 64 - 80 - 100 - 125 - 128 - 200 - 250 - 256 - 400 - 500 - 512 - 800 - 1000 - 1024 - 2048 - 3600 - 4096 (or on request)

Atek Sensor Technology A.S.



Tuzla Kimya Sanayicileri Org. San. Bolg. Melek Aras Bulvari, No:67 34956 Tuzla - Istanbul / TURKEY
 Tel: +90 216 399 44 04 Fax: +90 216 399 44 02
www.ateksensor.com info@ateksensor.com