



- Magnetic operating principle
- Contactless measurement
- Easy assembly with flanged special body structure
- Incremental measurement
- 6, 8 or 10 mm hole diameters
- Resolution values from 4 to 4096 pulses
- 300 KHz response frequency

TECHNICAL SPECIFICATIONS

Operating temperature	- 25 to 85 °C
Storage Temperature	- 40 to 100 °C
Body	50 mm
Response Frequency	300 KHz
Operating Speed	3.000 RPM max
Hole Diameter	8mm (Optional 6 or 10)

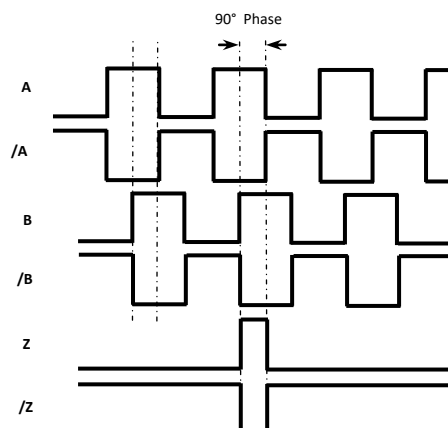
ELECTRICAL SPECIFICATIONS

Supply Voltage	+5 VDC, +10VDC...30VDC
Supply Current	50mA Nominal
Output Type	Push Pull, TTL Line Driver
Output Signals	A, /A, B, /B, Z, /Z
Output Current	100mA max. (Every Channel)
Connection	5 or 8 x 0,14 mm ² Cable with shield

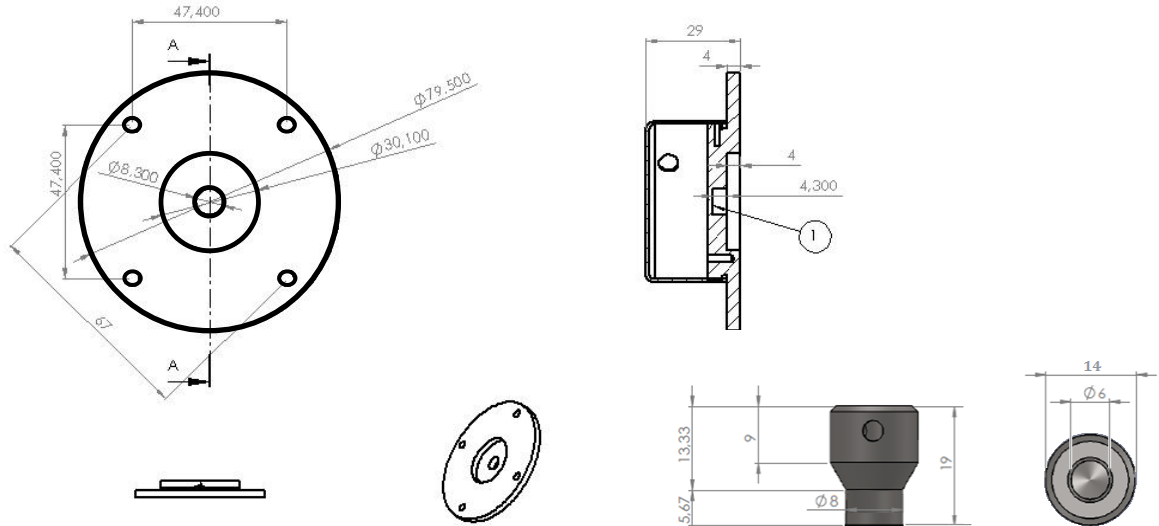
OUTPUT SIGNALS

PIN NO	SIGNAL	CABLE COLOR
1	A	YELLOW
2	/B	WHITE
3	+V	RED
4	0 V	BLACK
5	/A	BLUE
6	B	GREEN
7	/Z	GREY
8	Z	PINK
9	GROUND	SHIELD

In the left tablet he cable colors of sensors output signals are given. If the control circuit is suitable in the Line Driver sensors of the not output signals (/A, /B, /Z) have to be added to the system. If it is not suitable /A, /B, /Z signal cables must be fixed as insulated separately. Don't forget that these edges have electricity too.

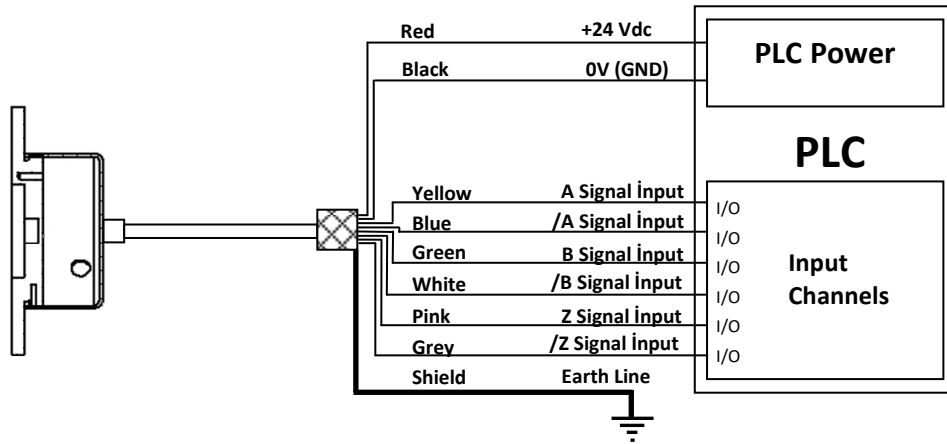


MECHANICAL DIMENSIONS

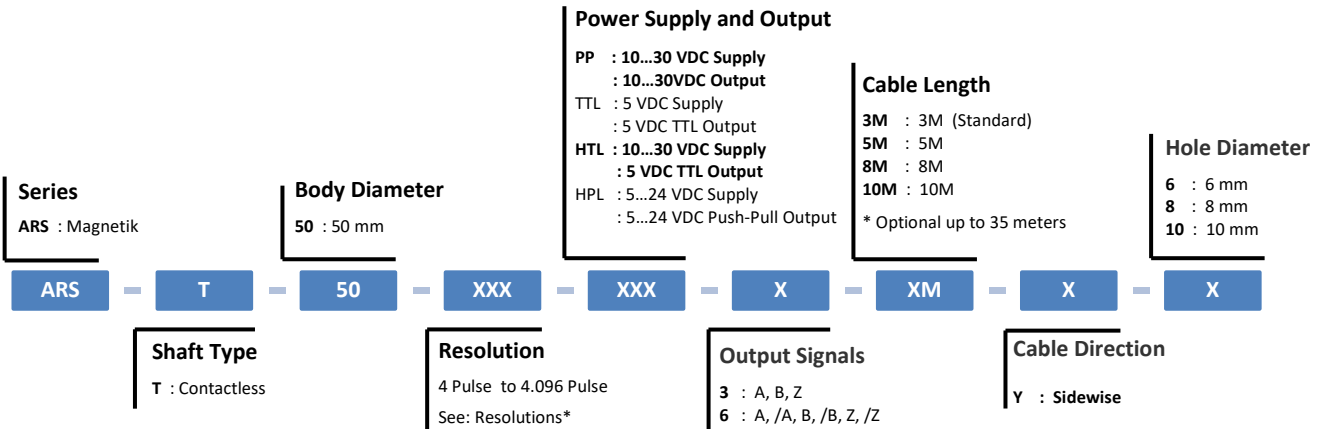


NOTE: The reader magnet must be mounted at a height of 0.3mm to the main body.

SAMPLE APPLICATION



ORDER CODING



*Resolutions:

4 - 8 - 16 - 20 - 25 - 32 - 40 - 50 - 64 - 80 - 100 - 125 - 128 - 160 - 200 - 250 - 256 - 400 - 500 - 512 - 800 - 1000 - 1024 - 2048 - 4096 (Diğer seçenekler için sorunuz)

Atek Sensor Technology A.S.



Tuzla Kimya Sanayicileri Org. San. Bolg. Melek Aras Bulvari, No:67 34956 Tuzla - Istanbul / TURKEY

Tel: +90 216 399 44 04

Fax: +90 216 399 44 02

www.ateksensor.com

info@ateksensor.com