



- Magnetic system
- Absolute measurement
- 6, 8 or 10 mm shaft diameters
- Analog Voltage Output
- 90° to 360° measurement range
- 300 KHz Response frequency

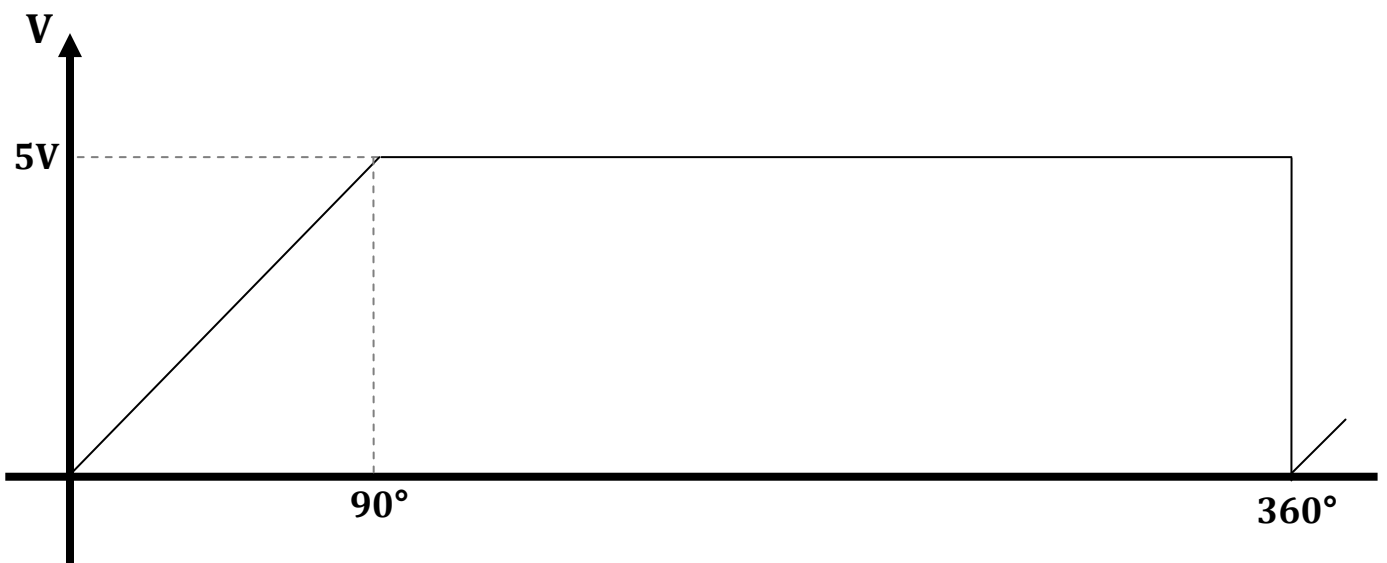
### TECHNICAL SPECIFICATIONS

Process Temperature	- 25 to 85 °C
Stock Temperature	- 40 to 100 °C
Protection Class	IP54
Body	50 mm Diameter
Response Frequency	300 KHz
Operating Speed	1.000 RPM max.
Shaft Diameter	6 mm, 8 mm (standart), 10 mm

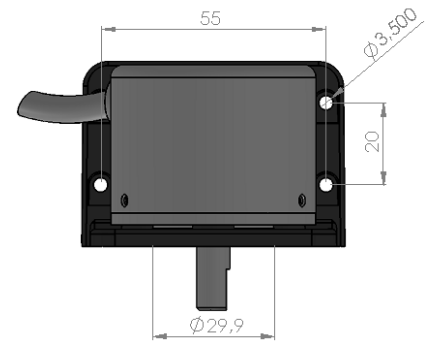
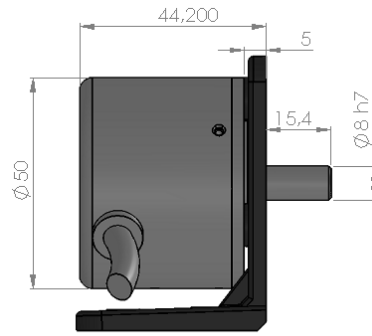
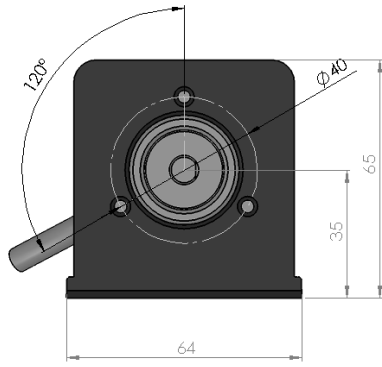
### ELECTRICAL SPECIFICATIONS

Supply Voltage	+6VDC...24VDC
Supply Current	50mA Nominal
Output Type	Analog Voltage
Output Signals	0...5 VDC
Output Current	100mA max. (Every Channel)
Connection	5 x 0,14 mm <sup>2</sup> Cable with shield

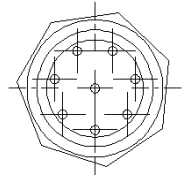
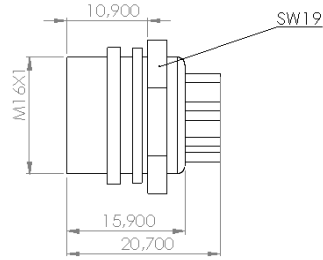
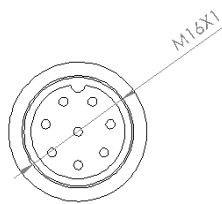
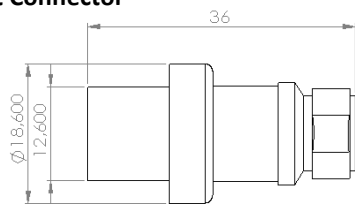
### OUTPUT SIGNALS



## MECHANICAL DIMENSION



### S16 Socket Connector



Clamping Flange



S16 (M16, 8Pin)  
Socket Connector



Backside Poliimid  
Spiral

## ORDER CODING

### Series

ARS : Magnetic

### Body Size

50 : 50 mm

### Output Signal

V : Voltage Output

### Cable Direction

A : Backside  
Y : Sidewise  
AS : Backside + Spiral

### Flange Type

C : Clamping

ARS - S - 50 - XX - V - XX - XX - X - C

### Shaft Type

S : Shafted

### Resolution

90 : 90°  
180 : 180°  
360 : 360°

### Cable Length

3M : 3M (Standard)  
5M : 5M  
8M : 8M  
10M : 10M  
S16 : M16 8 Pin Socket  
(Only Backside)

### Shaft Diameter

6 : 6 mm  
8 : 8 mm  
10 : 10 mm

Atek Sensor Technology A.S.



Tuzla Kimya Sanayicileri Org. San. Bolg. Melek Aras Bulvari, No:67 34956 Tuzla - Istanbul / TURKEY

Tel: +90 216 399 44 04

Fax: +90 216 399 44 02

[www.ateksensor.com](http://www.ateksensor.com)

[info@ateksensor.com](mailto:info@ateksensor.com)