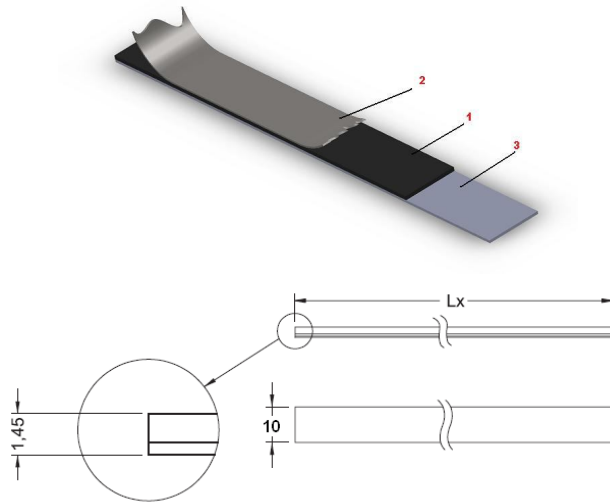




- Easy mounting by glueing
- 5 mm or 2mm pole length
- High accuracy
- Standart $\pm 40 \mu\text{m/m}$ optional $\pm 20 \mu\text{m/m}$
- Protection class IP67
- Resistant to humidity
- Stainless stell cover strip (Upside and Downside)
- Up to 100 m available
- Nitrile Rubber

The magnetic band is supplied with a non-magnetic stainless steel cover for physical protection; for its fixing an adhesive tape is pre-mounted. As shown above, the B5 magnetic tape is composed by three layers:

- 1 - A flexible magnetic tape made of plastic material (Resistant to debris, liquids and oils)
- 2 – Cover Strip (Upside) :A magnetised steel tape used to create a shield against any external magnetic disturb. Although, it's glued to the upper plastic layer in order to supply the correct mechanical consistency to the magnetic tape.
- 3 - Cover Strip (Downside) The third part is the most rigid one and therefore is supplied separately due to transport and application needs. It must be stick to layer 1 by the user. The steel tape is magnetically neutral and employed to mechanically protect the magnetic tape.



B Series Magnetic Tape Specifications

Operating temperature	-40°C to +120°C
Pole Pitch	5 mm , 2 mm
Accuracy Class	$\pm 40 \mu\text{m/m}$ or $\pm 20 \mu\text{m/m}$
Temperature coefficient	$11 \pm 1 \mu\text{m/K}$
Storage temperature	-40°C to +120°C
Water Protection	CrNi 17 7 stainless steel carrier nitrile rubber high temperature magnetic tape

Order Code

Model No

B - 5 - 4 0 - 5 0 0 mm

Accuracy Class

40 : 40 micron (Standart Model)
20 : 20 micron

Included in Delivery

2 units with plastic fixing piece

Pole Length

5 : 5 mm
2 : 2 mm

Defined Stroke Range

Several standard lengths from 50 mm to 100 meters