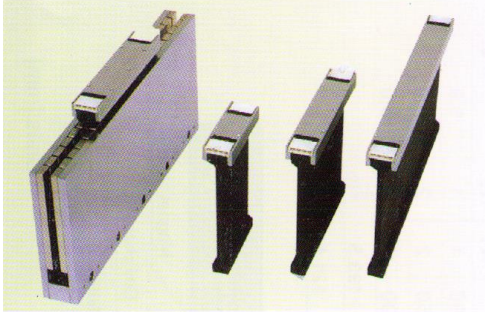


MML040



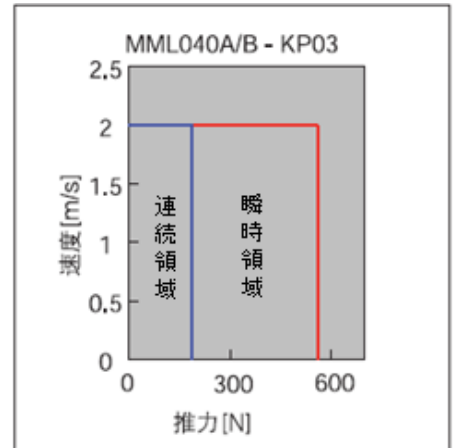
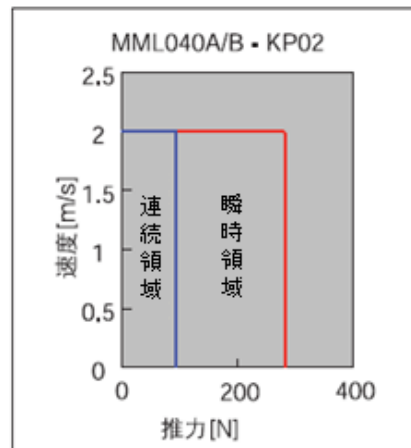
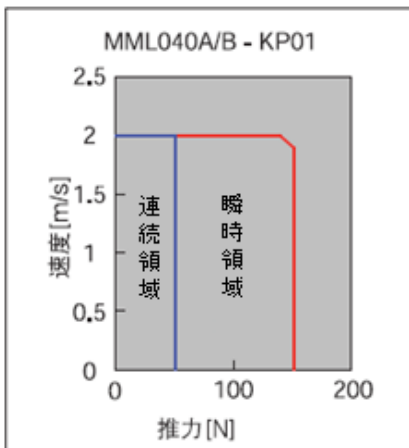
Within the MML series, this model has the most power. It is ideally suited for applications where high amounts of force, high speed, and quick acceleration are required for operation, such as large scale production equipment and precisioning equipment.

Standard specification

Insulation capacity	AC1500V 1min
Operating range	0~40°C
Cooling method	Self cooling
Insulation resistance	DC500V 100M Ω
more	
Operating humidity	20~80% (No condensation)
Maximum temperature	120°C

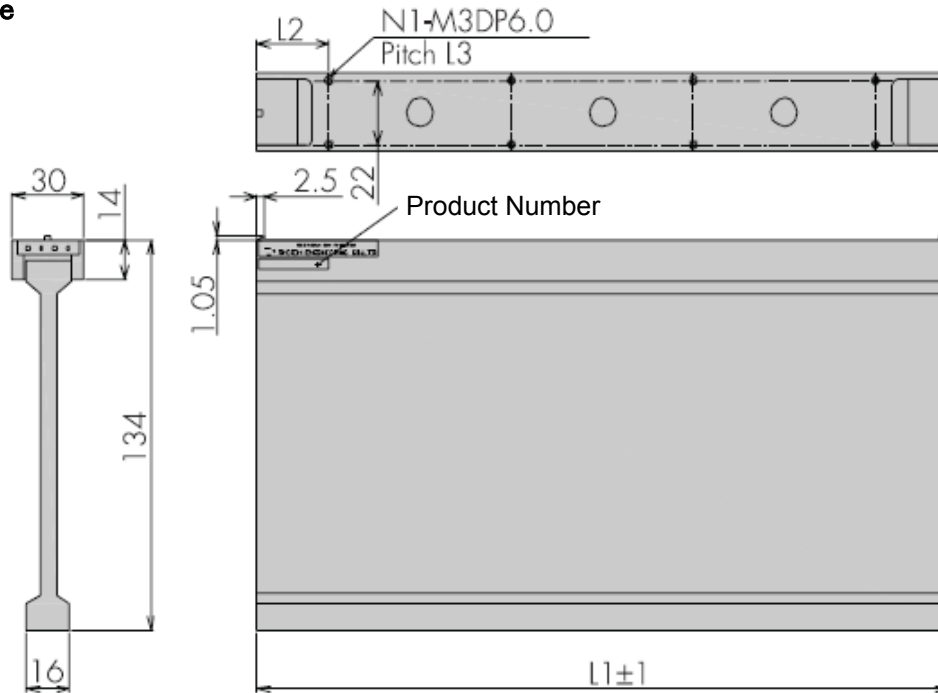
Item	Unit	LMML040-KP01		LMML040-KP02		LMML040-KP03	
		A	B	A	B	A	B
Continues force	N	49.5		93.9		187.0	
Continues Current	Arms	1.17	0.58	2.21	1.11	4.39	2.21
Peak current	N	148.0		281.7		561.0	
Peak current	Amps	3.50	1.74	6.62	3.33	13.17	6.64
Mover weight	kg	0.31		0.58		1.26	
Force constant	N/Arms	45.7	89.8	44.8	90.4	44.8	90.6
Motor constant	N/√W	12.3	12.0	16.9	17.1	23.9	24.3
Back EMF	Vrms/(m/s)	26.4	51.8	25.9	52.2	25.9	52.3
Coil resistance	Ω	9.3	37.4	4.7	18.5	2.4	9.3
Inductance	mH	3.01	11.72	1.50	6.11	0.75	3.05
Thermal Resistance (included heat sink)	K/W	3.70		2.04		1.03	
Thermal Resistance (not included heat sink)	K/W	4.40		2.40		1.21	

Force-Speed characteristics

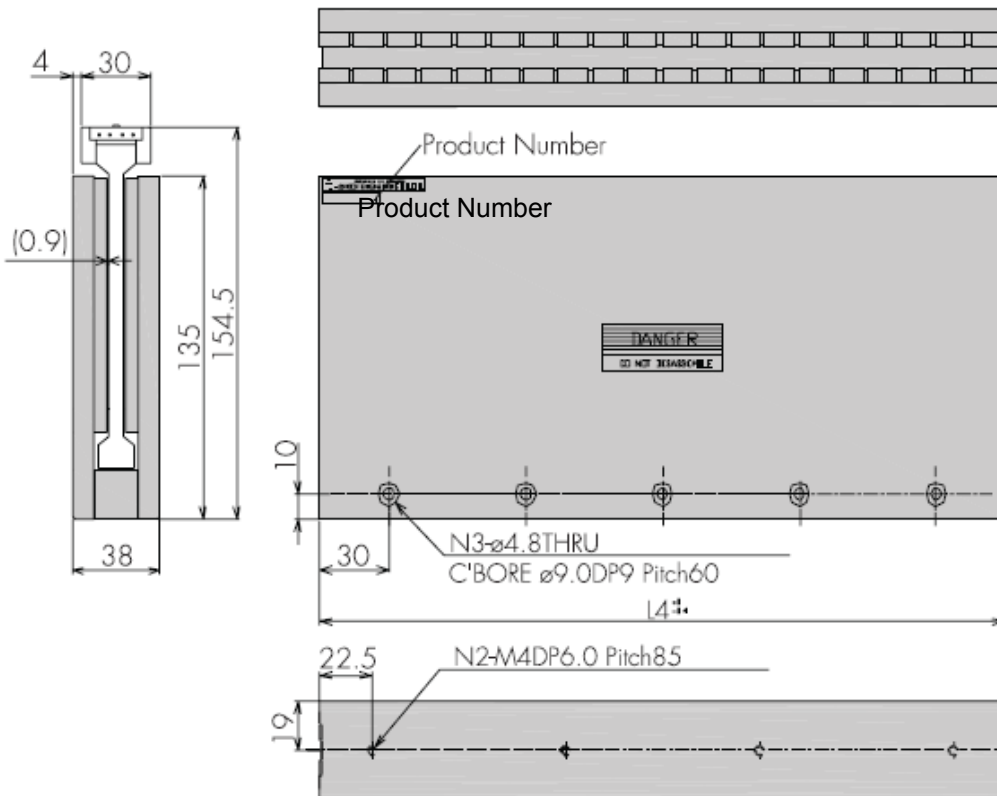


LMML040

Dimensions (unit: mm)
Coil plate



Magnet plate



Type	Size [mm]	Qty [pcs]	
		N2	N3
MP90	90	2	2
MP150	150	2	2
MP300	300	4	5

Type	Size[mm]			Qty[pcs]
	L1	L2	L3	
KP01	78	24	30	4
KP02	138	32	37	6
KP03	258	27	68	8