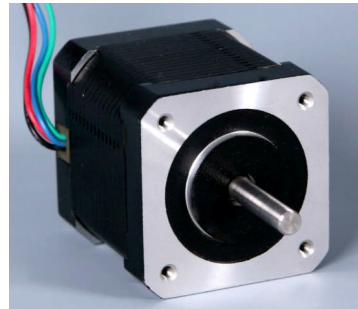


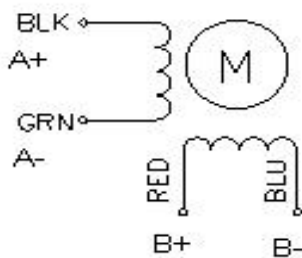
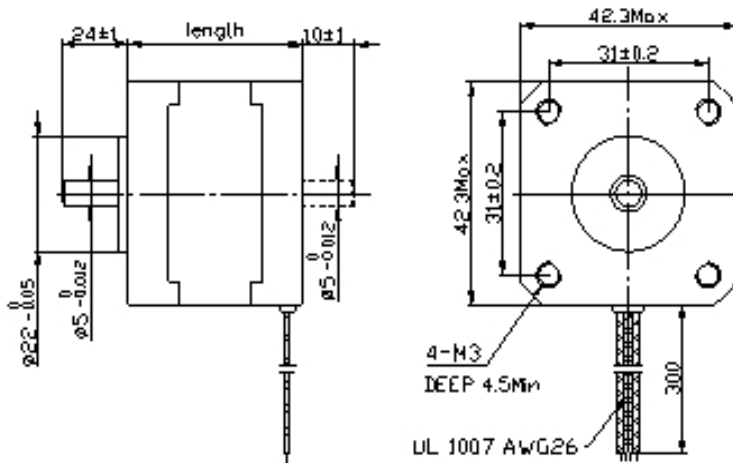
## 2-phase Hybrid Stepping Motor, DM42xxE

**leetro**

Item	Specifications
Step Angle	1.8°
Step Angle Accuracy	±5% (full step, no load)
Resistance Accuracy	±10%
Inductance Accuracy	±20%
Temperature Rise	80°C Max. (rated current, 2 phase on)
Ambient Temperature	-20°C ~ +50°C
Insulation Resistance	100MΩMin., 500VDC
Dielectric Strength	500VAC for one minute
Shaft Radial Play	0.02Max. (450 g-load)
Shaft Axial Play	0.08Max. (450 g-load)
Max. radial force	28N (20mm from the flange)
Max. axial force	10N



Model	Rated Voltage (V)	Current /Phase (A)	Resistance /Phase (Ω)	Inductance /Phase (mH)	Holding Torque (N·m)	Rotor Inertia (g·cm <sup>2</sup> )	Weight (kg)	Length (mm)
DM4234E	9.6	0.4	24	15	0.16	35	0.22	34
DM4240E	5.8	0.8	6.8	17.6	0.32	35	0.22	38
DM4250E	5.2	1.2	4.33	6.5	0.45	68	0.35	48



Model	Recommended Driver
DM4234E	DMD202A, DMD402A
DM4240E	
DM4250E	