

Connection Diagram

Non-TV Format

TV Format B/W Model

Color Model

Intelligent

Digital Interface IEEE1394

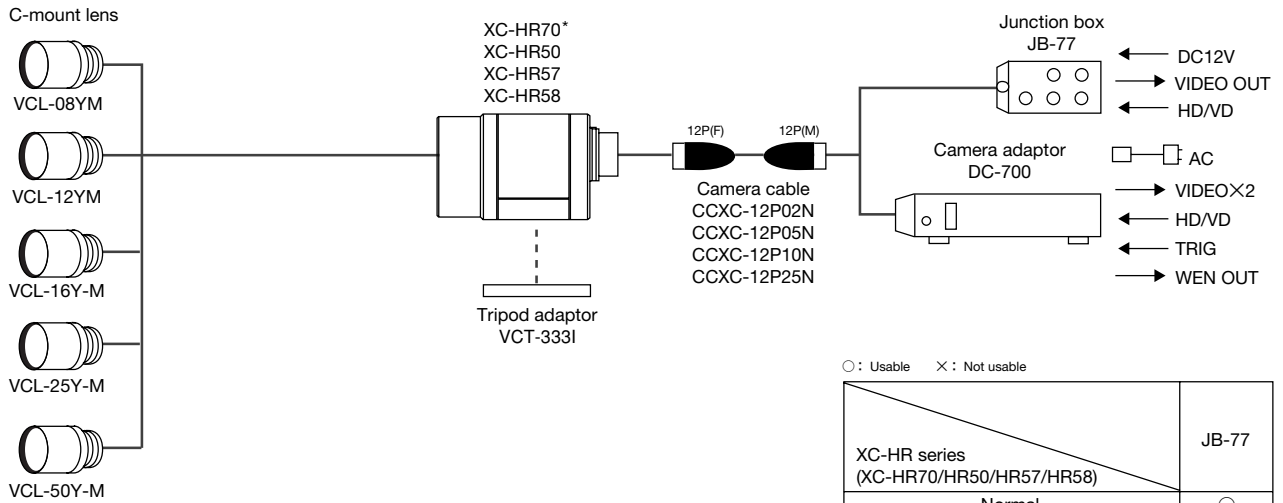
Camera Link compatible

Accessories

Color PTZ Model

Color Camera Block

XC-HR70 XC-HR50 XC-HR57 XC-HR58



○ : Usable × : Not usable

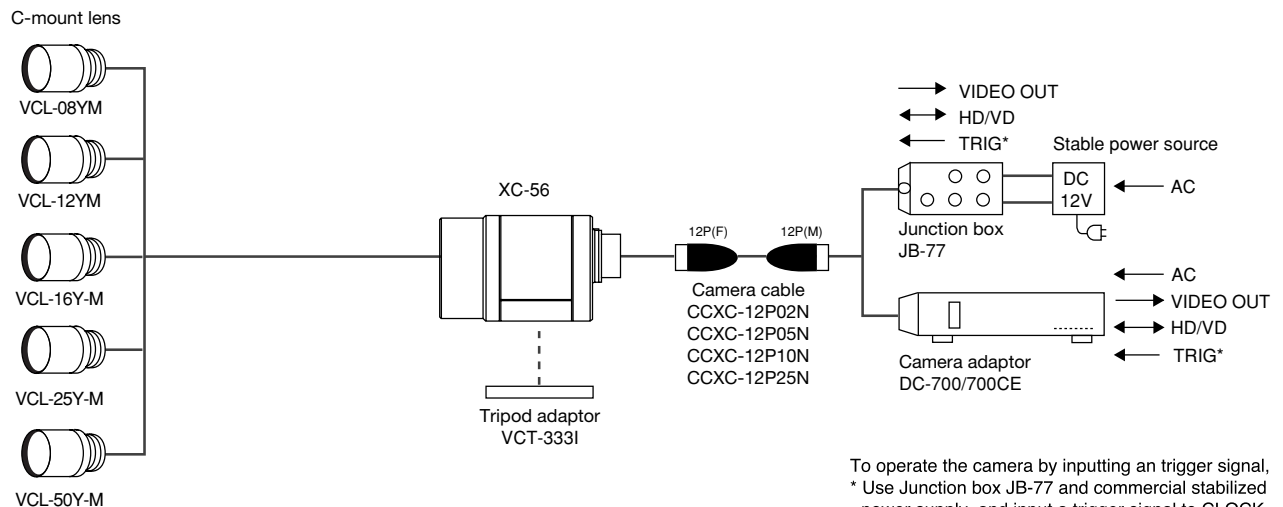
XC-HR series (XC-HR70/HR50/HR57/HR58)	JB-77
Normal	○
Normal shutter	○
Restart/reset (R.R)	○
External trigger shutter	×
WENT OUT	×

Note

When using the JB-77, not all of the XC-HR series functions can be used. See the table on the right.

* The XC-HR70 can use only the VCL-12YM. For information about compatibility with lenses of other manufacturers, please contact your authorized Sony dealer.

XC-56

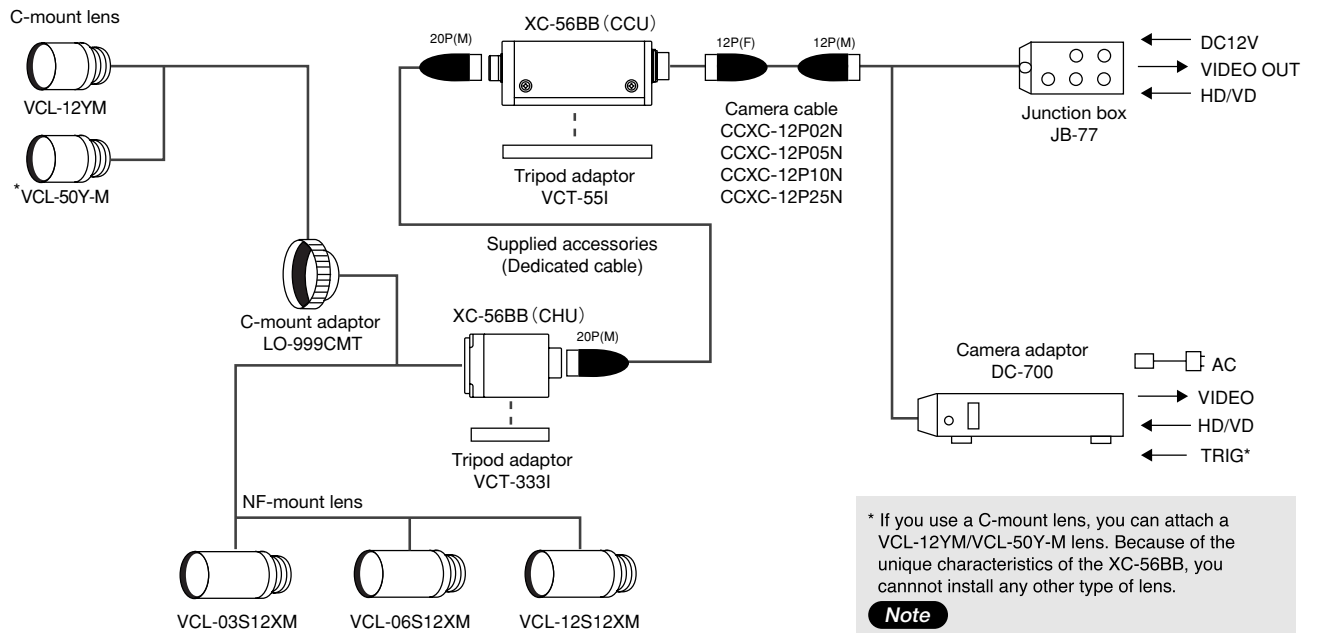


To operate the camera by inputting a trigger signal,
* Use Junction box JB-77 and commercial stabilized power supply, and input a trigger signal to CLOCK OUT connector of JB-77.

* Input a trigger signal to Video connector 2 of Camera adaptor DC-700/700CE

Connection Diagram

XC-56BB



* If you use a C-mount lens, you can attach a VCL-12YM/VCL-50Y-M lens. Because of the unique characteristics of the XC-56BB, you cannot install any other type of lens.

Note

- The XC-56BB head unit (CHU) must have the same serial number as the control unit (CCU).
- Do not connect or disconnect the supplied cable while the power is turned on, otherwise the camera may be damaged.

To operate the camera by inputting a trigger signal,
* Use Junction box JB-77 and commercial stabilized power supply, and input a trigger signal to CLOCK OUT connector of JB-77.
* Input a trigger signal to Video connector 2 of Camera adaptor DC-700/700CE