

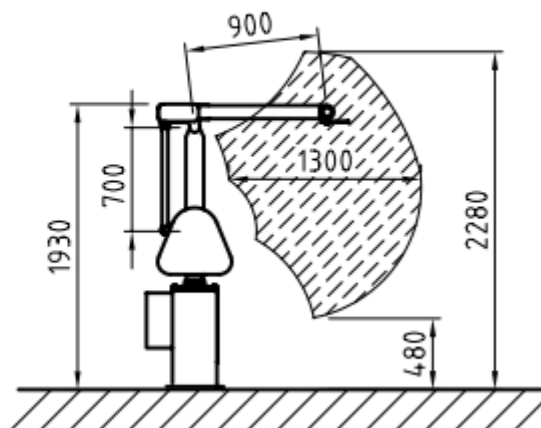
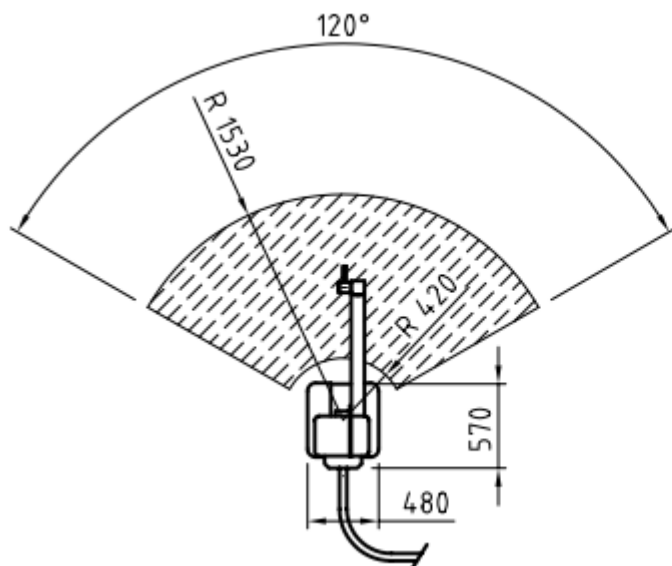
Standard version. Anthropomorphic five axes robot is suitable for painting in line. It has been studied to operate where powder and water paint are used. The programming and utilization is extremely simple thanks to its configuration.

GR-520 ST



TECHNICAL FEATURES	
PHISICAL	
Number of robot axes	5
Number of external axes	2
Working area	1.550
Wrist capacity	3 kg
Installation	Floor/Ceiling/Wall
Programmation	Self teaching
Robot weight	170 kg
ENVIRONMENT	
Robot protection degree	IP 54
Robot Explosion protection (Atex)	no
OPZIONI	
External axes	
Synchronization to the conveyor	
Tele service	

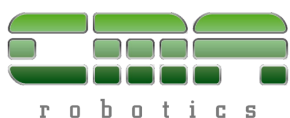




GR-520 G

Carousel version. The Robot is complete of carousel with three arms. The pieces can be loaded manually or in automatic way in a safe area; the carousel provides for the positioning of the pieces at the frontal part for the working, and it brings them in the unloading area. The arms are provided of rotation group synchronized with the robot and they can be arranged with different piece supports according to the demand.

TECHNICAL FEATURES	
CARROUSEL	
Movement	Servo controlled
Arms n°	3
Arm weight capacity	25 kg
Robot weight	650 Kg
PIECES TURNING DEVICE	
Movement	Servo controlled and sincronized
OPZIONI	
Adjustable piece supports	



CMA Robotics Spa
 Via P.P. Pasolini 35/15
 33040 Pradamano (UD) Italy
www.cmarobot.it - info@cmarobot.it