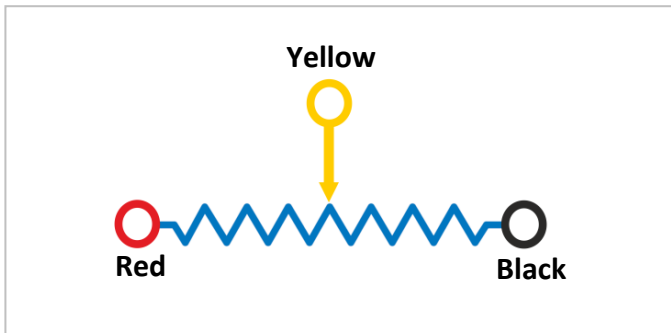




- Measurement length 300 mm to 1.250 mm
- 0,5 mm stainless steel wire diameter
- Maximum 42V Power Supply
- Small size
- High strength stainless steel wire
- Potentiometric Measuring  
Or 0-10 VDC Analog Output  
Or 4-20 mA Current Output
- 0,5 m/s maximum speed
- IP54 Protection class
- Shock/Vibration resistant

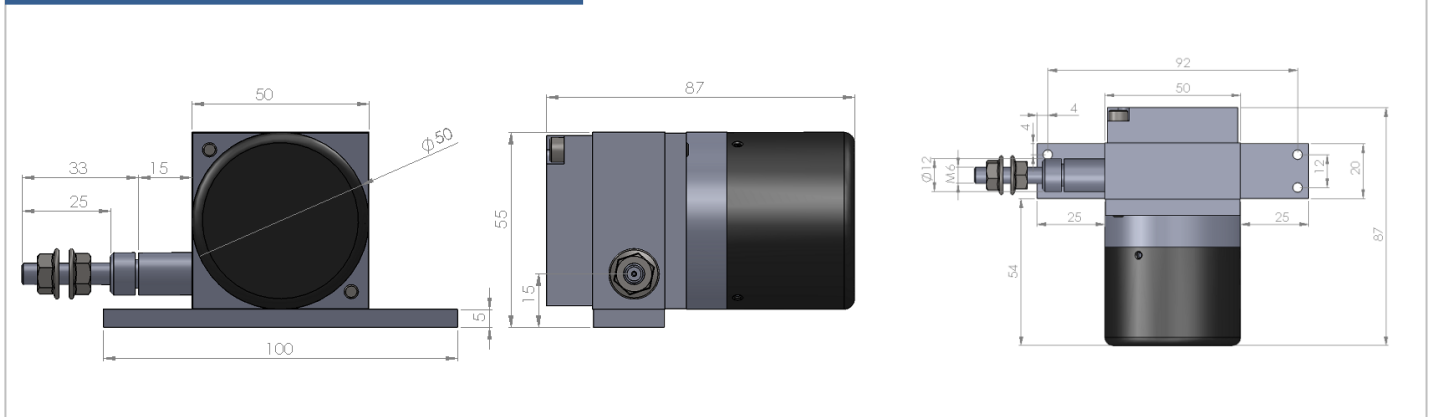
The AWP series are wire potentiometric position transducers that turn a linear motion into a resistance variation. They are made of a precision rotating potentiometer operated by a, winding or unwinding, stainless steel wire. The transducers are available with a stroke of: 300, 500, 700, 1000, 1250 mm. Optionally other stroke lengths, cable length and socket connector can be requested.



### TECHNICAL SPECIFICATIONS

<b>Power Supply</b>	Max. 42 V
<b>Stroke Length (mm)</b>	300, 500, 700, 1.000, 1.250 (Please ask us for other)
<b>Maximum Speed</b>	0,5 m/s
<b>Resistance</b>	5K $\Omega$ (Optional Other)
<b>Output</b>	Potentiometric Or 0-10 VDC Analog Output Or 4-20 mA Current Output (Please ask us for other)
<b>Linearity</b>	$\pm$ %0,25
<b>Protection Class</b>	IP54
<b>Process Temperature</b>	- 25 to +85 °C
<b>Relative Humidity</b>	%10 to %90
<b>Weight</b>	< 400 grams

### MECHANICAL DIMENSIONS



### PRODUCT CODING

#### Model

AWP 110

**AWP110**

**XXX**

#### Stroke Length

300 : 300 mm  
500 : 500 mm  
700 : 700 mm  
1000 : 1000 mm  
1250 : 1250 mm

\* Please ask us for other wire lengths

#### Resistance

5K : 5K $\Omega$   
(Please ask us for other)

**5K**

**3M**

#### Cable Length

3M : 3M (standard)  
5M : 5M  
10M : 10M  
S16 : M16 Socket Connector  
S23 : M23 Socket Connector

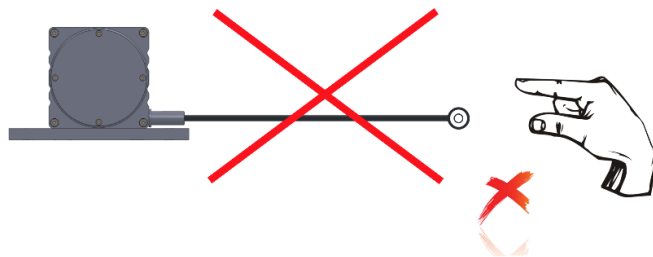
\*Please ask us for other cable lengths and socket connectors

#### Output Signals

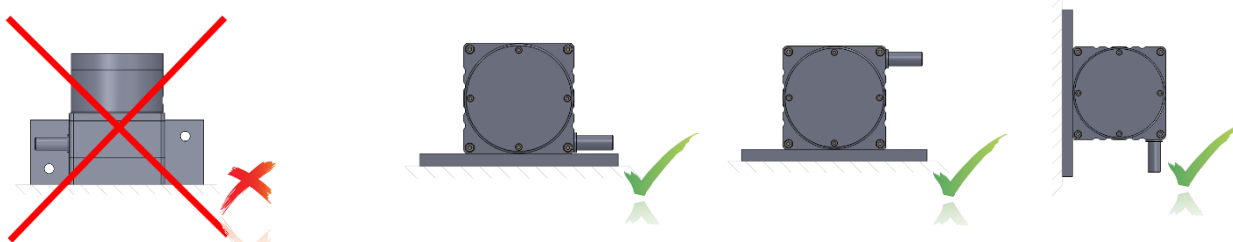
No Code : Potentiometric  
V : 0-10 VDC Analog Voltage  
A : 4-20 mA Analog Current

**X**

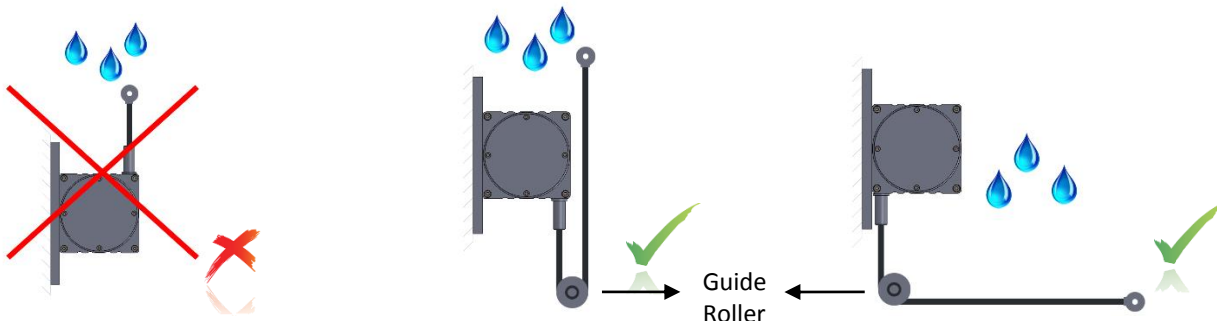
1. Do not release the wire suddenly, after pulling.



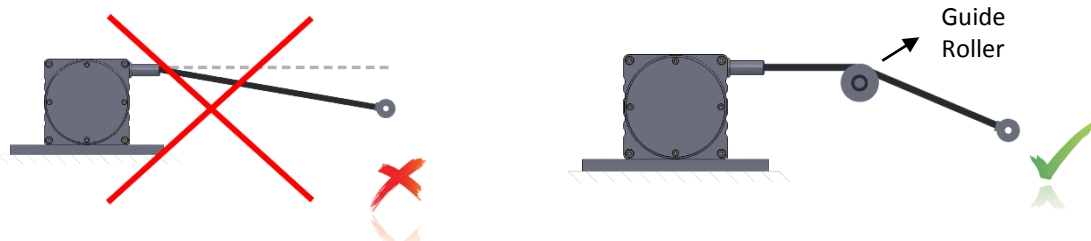
2. The wire encoder must be mounted vertically in position, not be horizontally.



3. If there is a trickle of water (like a rain), the wire outlet must not be a drip of water upstream. If needed please use guide rollers.



4. The wire should not be pulled in angular. If needed, please use guide rollers.



Failure to comply with these recommendations, the malfunctions that may occur will not be under the warranty.