

# Low magnification macro lenses



## Low magnification macro lenses

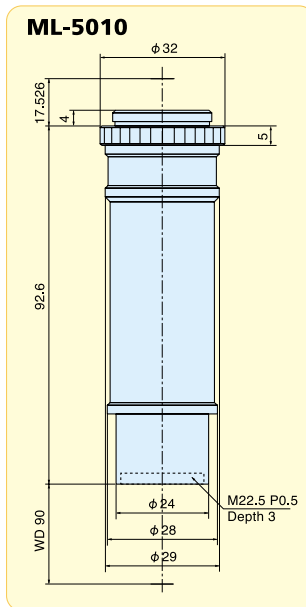
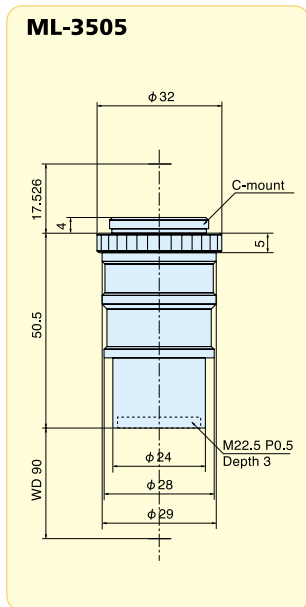
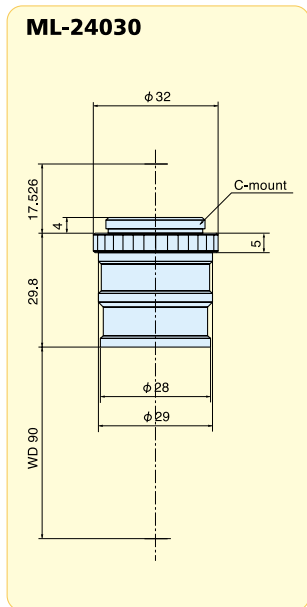
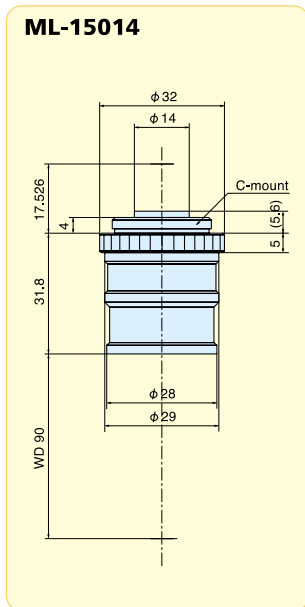
Made to order

Small, high-resolution macro lenses to be mounted on a machine. Working distance of all models is 90mm.



- ML-15014** .....Magnification 0.14X
- ML-24030** .....Magnification 0.3X
- ML-3505** .....Magnification 0.5X
- ML-5010** .....Magnification 1X

Low magnification macro lenses



Product name	Magnification	Effective FNO	O/I	WD	Depth of field	Resolution	TV distortion	Weight	Largest compatible CCD	Mount
<b>ML-15014</b>	x 0.14	4.6	139.3	90mm	18mm	36 $\mu$ m	0.1% or less	28g	2/3"	C-mount
<b>ML-24030</b>	x 0.3	7.3	137.3	90mm	6.5mm	21 $\mu$ m	0.1% or less	39g	2/3"	C-mount
<b>ML-3505</b>	x 0.5	8.4	158	90mm	2.7mm	13 $\mu$ m	0.1% or less	55g	2/3"	C-mount
<b>ML-5010</b>	x 1	8	200.1	90mm	0.6mm	6.3 $\mu$ m	0.1% or less	68g	2/3"	C-mount

\* Depth of field is calculated assuming a horizontal 320 TV resolution using a 1/2" CCD camera. (Permissible circle of confusion on the image-formation side: 40 $\mu$ m)